



markilux 790

Ideal, protection from the side against low-lying sun, light wind and inquisitive glances – perfect for large patios and terraces

markilux

markilux pergola 100

markilux pergola 200

markilux syncra fix / syncra uno fix with folding-arm awnings

markilux syncra fix / syncra uno fix with pergola 100 / 200

markilux syncra flex 2 / syncra uno flex 2 with folding-arm awnings

markilux RS 8000

markilux 790

Optional Accessories

Technical Information



markilux 790

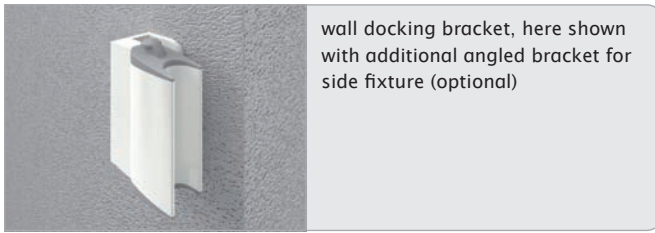
Ideal, protection from the side against low-lying sun, light wind and inquisitive glances – perfect for large patios and terraces

Design features

- for long-lasting attractiveness the awning has been powder coated
- when retracted the cover is protected from the weather by the cassette, which encloses it completely
- one-piece covers made from widely woven, plain awning fabrics make it possible to do away with seams entirely
- round front profile with attractive, ergonomically shaped handle
- striped fabrics run vertically

Technical highlights

- simple operation - pull the front profile out by the handle
- taut cover thanks to the internal, pre-tensioned spring
- easy cassette fixture to the side or the rear
- unlimited choice of fixture points
- fixture of docking post optionally by insertion into a ground sleeve or by bolting the welded bottom plate to the patio



wall docking bracket, here shown with additional angled bracket for side fixture (optional)



safety mechanism for the docking post as standard

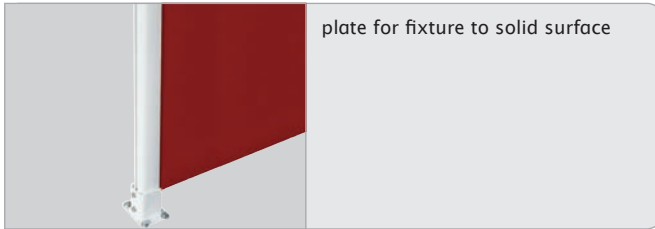
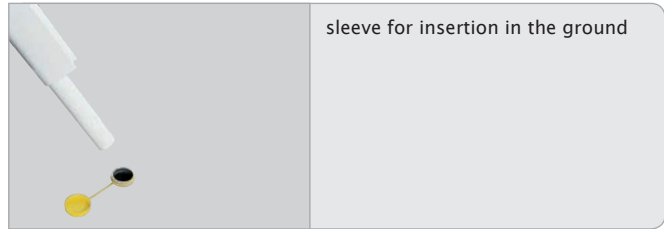
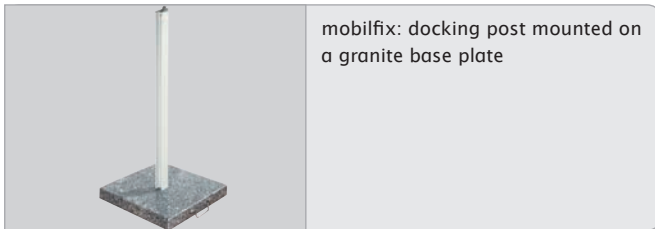


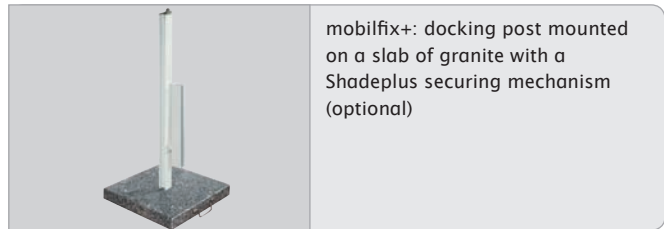
plate for fixture to solid surface



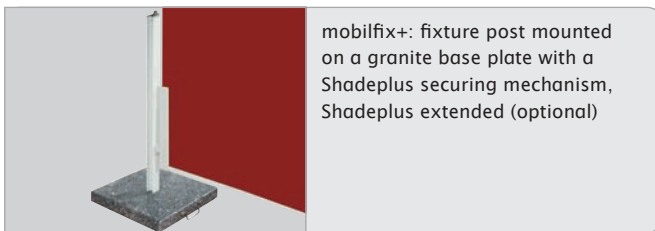
sleeve for insertion in the ground



mobilfix: docking post mounted on a granite base plate



mobilfix+: docking post mounted on a slab of granite with a Shadeplus securing mechanism (optional)



mobilfix+: fixture post mounted on a granite base plate with a Shadeplus securing mechanism, Shadeplus extended (optional)

Standard specification
wall docking bracket with front profile
docking post with ground sleeve/base plate
safety mechanism for the docking post
sunsilk snc fabric
sunsilk snc signature fabric
acrylic fabric 34
widely woven acrylic fabric
transolair fabric

Standard frame colours
traffic white - RAL 9016
metallic aluminium - RAL 9006
grey brown - similar to RAL 8019

Optional accessories
mobilfix
mobilfix +
special powder-coated finish

markilux pergola 100

markilux pergola 200

markilux syncra fix / syncra uno fix with folding-arm awnings

markilux syncra fix / syncra uno fix with pergola 100 / 200

markilux syncra flex 2 / syncra uno flex 2 with folding-arm awnings

markilux RS 8000

markilux 790

Optional Accessories

Technical Information

Side screen with angled top edge

for markilux folding-arm awnings

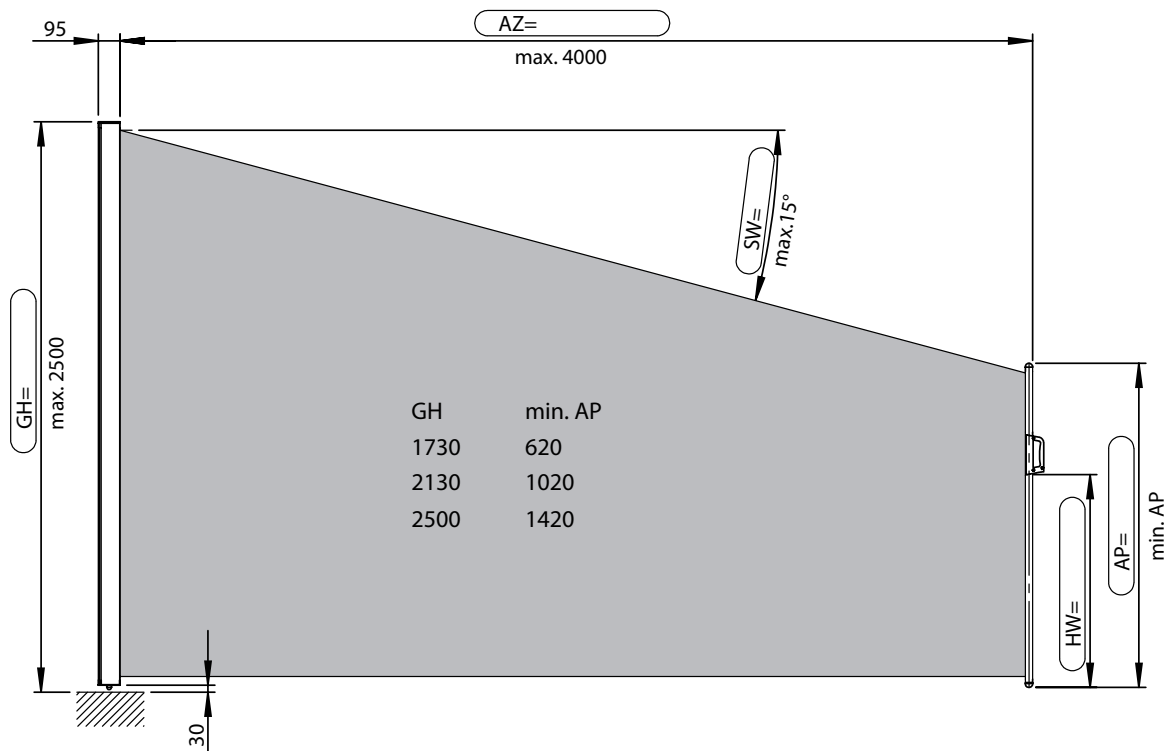
The side screen with angled top edge (markilux 790) as an accessory for your folding-arm awning is the ideal protection from the side against low-lying sun, light wind and inquisitive glances.

The round front profile with its ergonomically shaped grip is simply pulled out of the cassette.



Dimensions:

Please give the dimensions indicated when ordering



- AP = height of the front profile
- AZ = extension
- GH = overall height
- HW = height of the wall docking bracket
- SW = angle of the top edge of the cover

dimensions in mm

Dimensions and configuration options

extension	overall height			minimum height
	173	213	250	
200				90
201-250				90
251-300				110
301-350				125
351-400				125
401-450 ¹⁾				130

- = available, cover height approx. 162 cm
- = available, cover height approx. 202 cm
- = available, cover height approx. 239 cm

1) angled top edge not possible

dimensions in cm

Front profile fixture

wall docking bracket with front profile	●
docking post with base plate for fixture to solid surface	●
sleeve assembly for insertion in the ground	●
mobilfix (docking post mounted on a slab of granite)	○
mobilfix+ (docking post mounted on a slab of granite with Shadeplus securing mechanism)	○

Covers

sunsilk snc (fabric series 324xx/329xx)	● ¹
sunsilk snc signature (fabric series 369xx)	● ¹
acrylic 34 (fabric series 341xx-347xx)	● ¹
widely woven acrylic (fabric series 349xx)	●
sunsilk perla FR (fabric series 374xx/379xx)	-
transolair (fabric series 339xx)	● ¹
Soltis 92	-
PVC fabric	-

- = standard specification
- = optional accessories
- = not available
- ¹ = bonded/stitched covers (with vertical seams) are only available up to an extension of 350 cm

Definition of the extension: The extension is measured from the front of the cassette to the leading edge of the fixture post. The greater the extension the greater the force required to extend the side screen.

The width of the awning cover is always less than the width of the awning. For cover sizes please see the section "Housing tolerances and awning cover dimensions".

Frame colours

traffic white - RAL 9016		●
metallic aluminium - RAL 9006		●
grey brown - similar to RAL 8019		●
special powder-coated finish		○

* Colours similar to the RAL chart - these may differ slightly from those depicted in both hue and finish.

markilux pergola 100

markilux pergola 200

markilux syncra fix / syncra uno fix with folding-arm awnings

markilux syncra fix / syncra uno fix with pergola 100 / 200

markilux syncra flex 2 / syncra uno flex 2 with folding-arm awnings

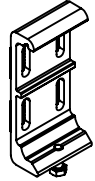
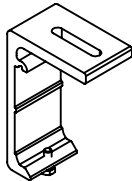
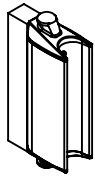
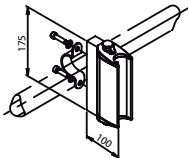
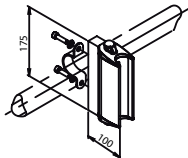
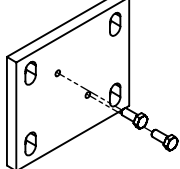
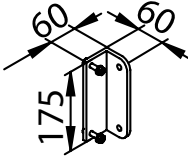



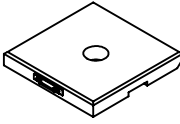
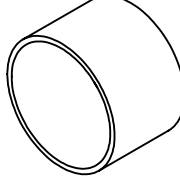
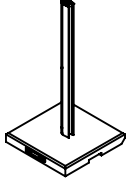
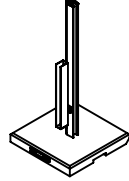
markilux RS 8000

markilux 790

Optional Accessories

Technical Information

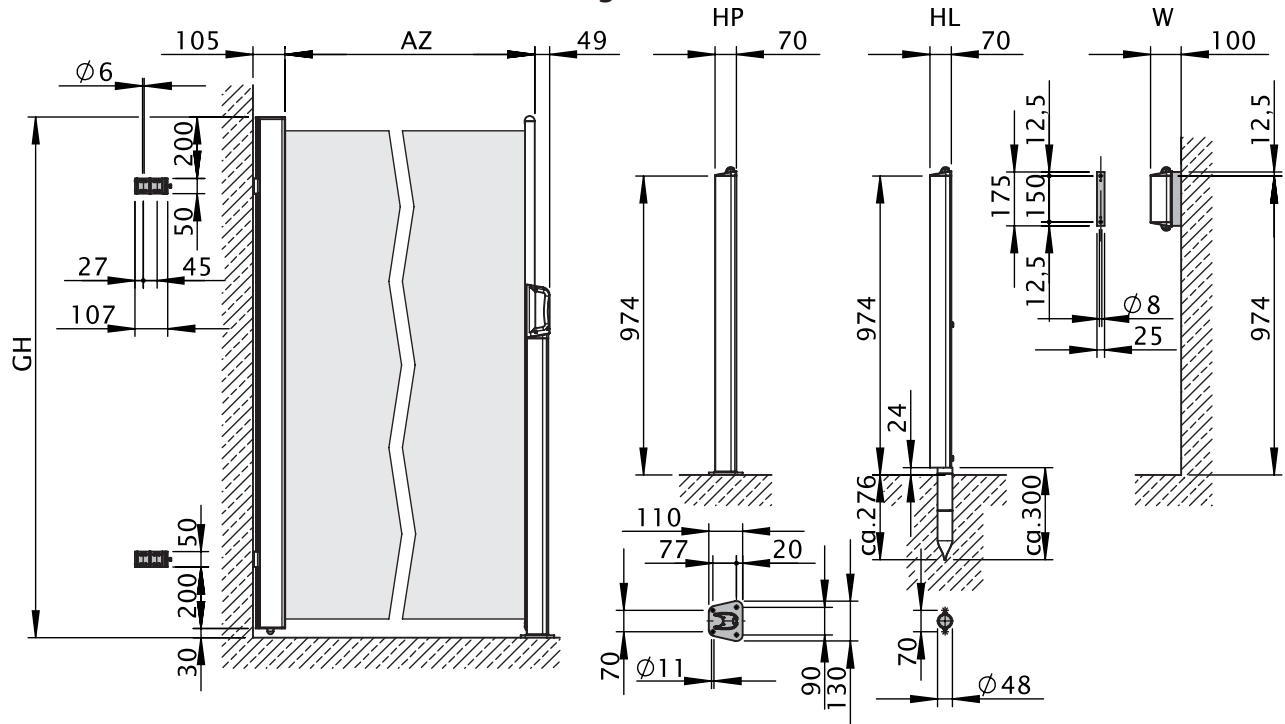
Fixtures, fittings and accessories

 <p>Universal bracket assembly for the cassette</p> <p>50 mm</p> <p>78758.</p>	 <p>Reveal fixture bracket assembly for the cassette</p> <p>77845.</p>	 <p>Face fixture docking assembly for the front profile</p> <p>77822.</p>
 <p>Railing bracket assembly Ø 40 - 45 mm for the wall docking bracket for the front profile</p> <p>77984.</p>	 <p>Railing bracket assembly Ø 45 - 50 mm for the wall docking bracket for the front profile</p> <p>77985.</p>	 <p>Spreader plate assembly for face-/universal bracket for cassette fixture</p> <p>100 x 120 x 10 mm</p> <p>78982.</p>
 <p>Angle bracket assembly for the wall docking bracket (77822.)</p> <p>175 x 60 x 60 mm</p> <p>77987.</p>	 <p>Welded base plate assembly for the front profile for fixture to a solid surface</p> <p>77820.</p>	 <p>Sleeve assembly for the front profile for insertion in the ground</p> <p>77821.</p>
 <p>Ground sleeve</p> <p>702730</p>	 <p>Additional granite slab for the mobilfix (recommended in light wind)</p> <p>779311</p>	 <p>Acrylic glass tube as protection for the docking post for the additional granite slab</p> <p>779321</p>
 <p>mobilfix: Docking post mounted on a slab of granite</p> <p>77821., 778941, 778931</p>	 <p>mobilfix +: Docking post mounted on a slab of granite with a Shadeplus securing mechanism</p> <p>77821., 778941, 77895., 778931</p>	

. = Please insert the RAL No. (please refer to the section on "Coatings")

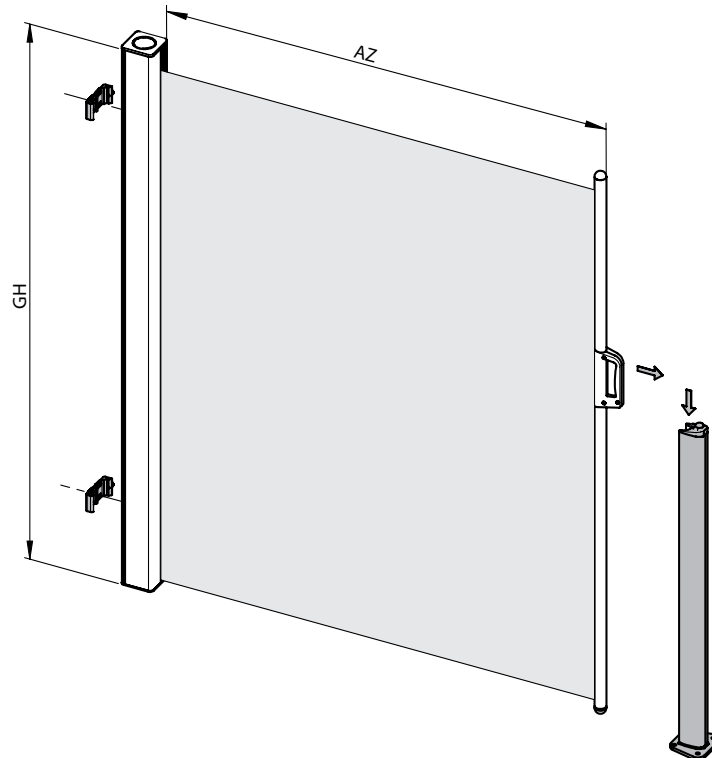
Installation dimensions

Table of dimensions for the docking post mounted on a base plate / with ground sleeve and when fitted to a wall docking bracket



dimensions in mm

View of the docking post including the welded base plate for fixture to a solid surface



- AZ = extension
- GH = overall height
- HP = docking post with base plate
- HL = docking post with ground sleeve
- W = face fixture to opposing wall

dimensions in mm

markilux pergola 100

markilux pergola 200

markilux syncra fix / syncra uno fix with folding-arm awnings

markilux syncra fix / syncra uno fix with pergola 100 / 200

markilux syncra flex 2 / syncra uno flex 2 with folding-arm awnings

markilux RS 8000

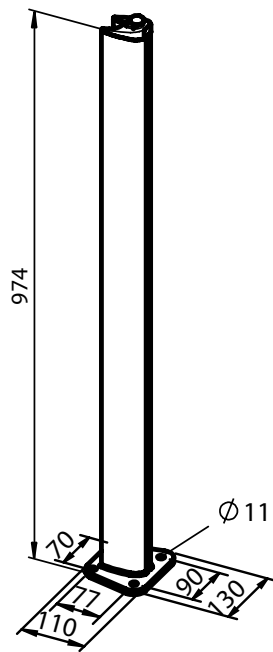
markilux 790

Optional Accessories

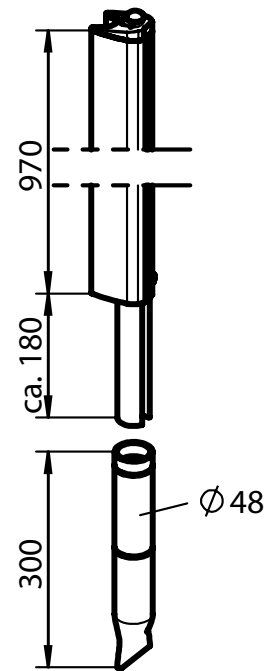
Technical Information

Installation dimensions

Dimensional specifications of the fixture post
with base plate

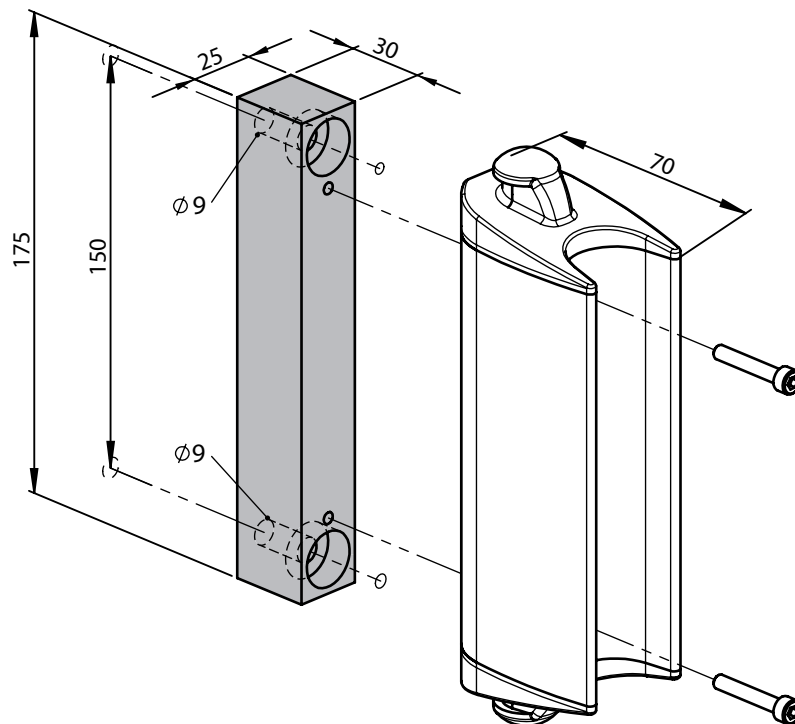


with ground sleeve



dimensions in mm

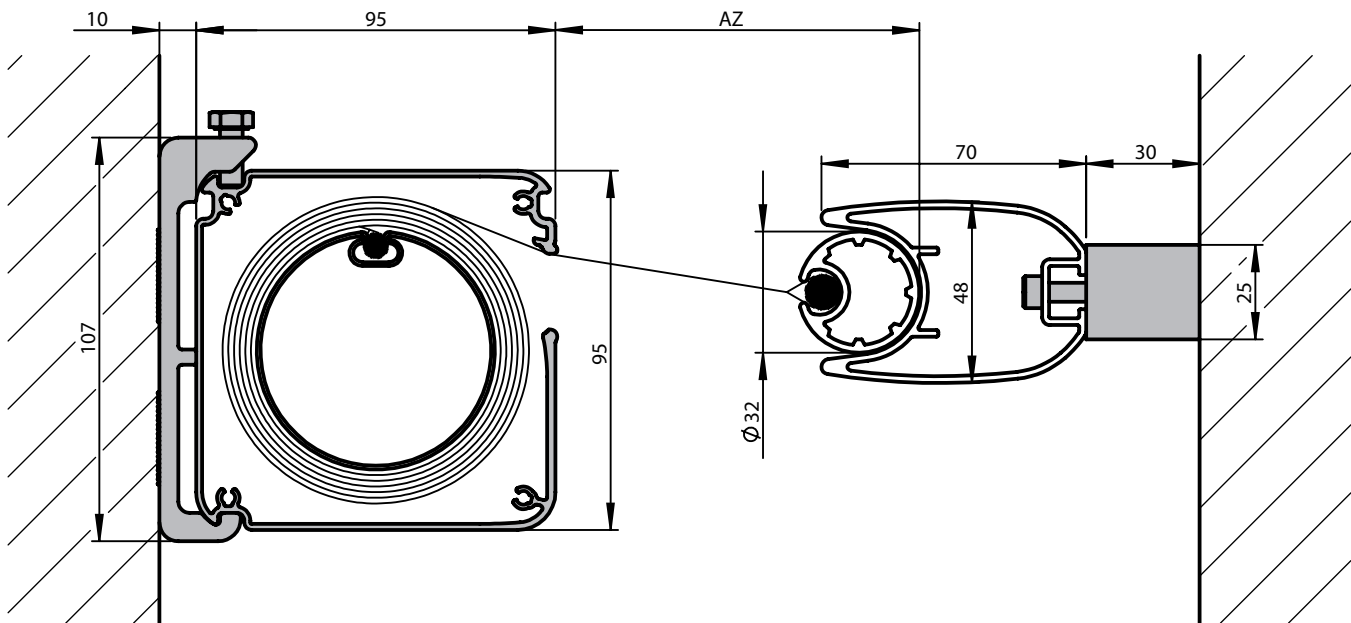
Table of dimensions for wall bracket to dock the front profile



dimensions in mm

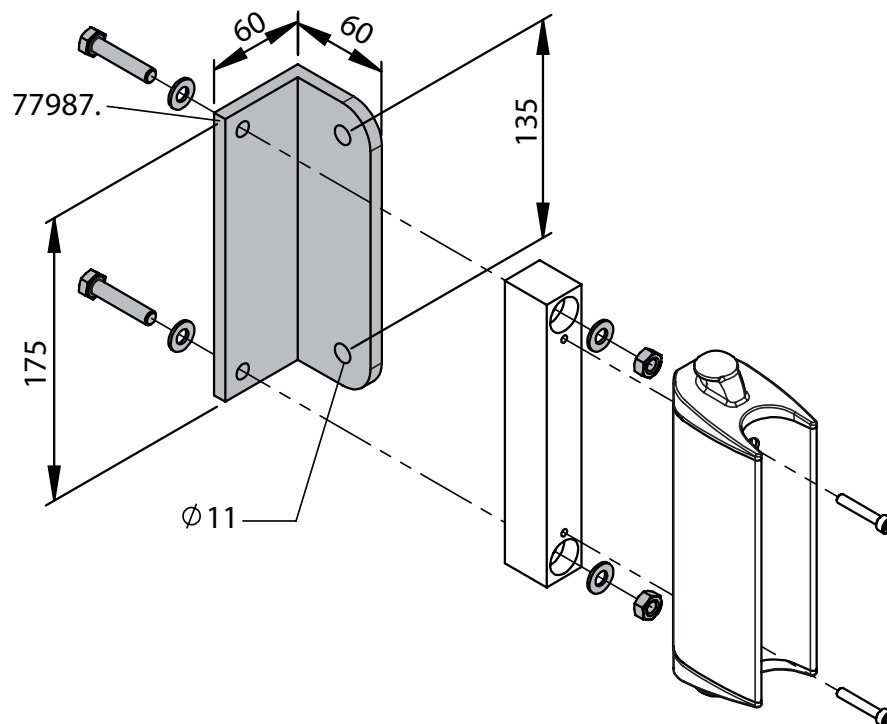
Installation dimensions

Sectional view with wall docking bracket



dimensions in mm

Angled bracket for lateral fixture of the wall docking bracket



AZ = extension
77987 = angled bracket assembly for lateral fixture

dimensions in mm

markilux pergola 100

markilux pergola 200

markilux syncra fix /
syncra uno fix
with
folding-arm awnings

markilux syncra fix /
syncra uno fix
with
pergola 100 / 200

markilux syncra flex 2 /
syncra uno flex 2
with
folding-arm awnings

markilux RS 8000

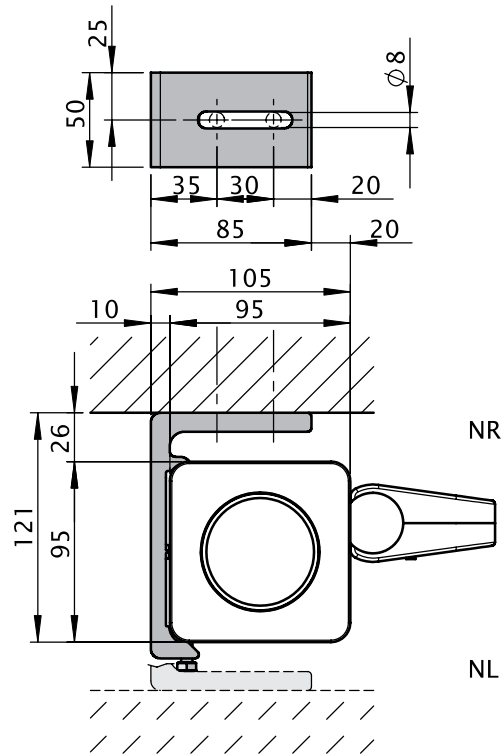
markilux 790

Optional Accessories

Technical Information

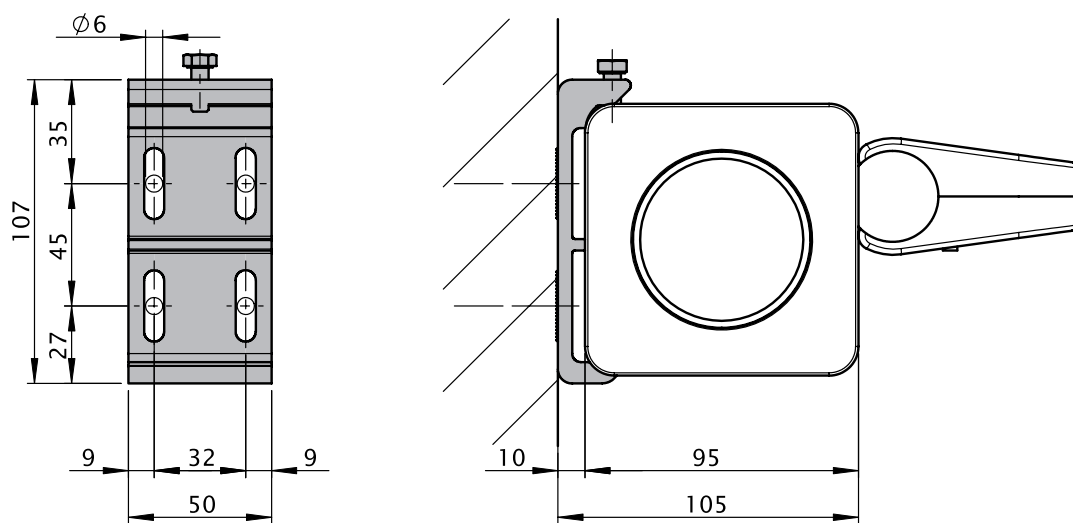
Installation dimensions

Reveal fixture, bird's eye view



dimensions in mm

Face fixture, bird's eye view

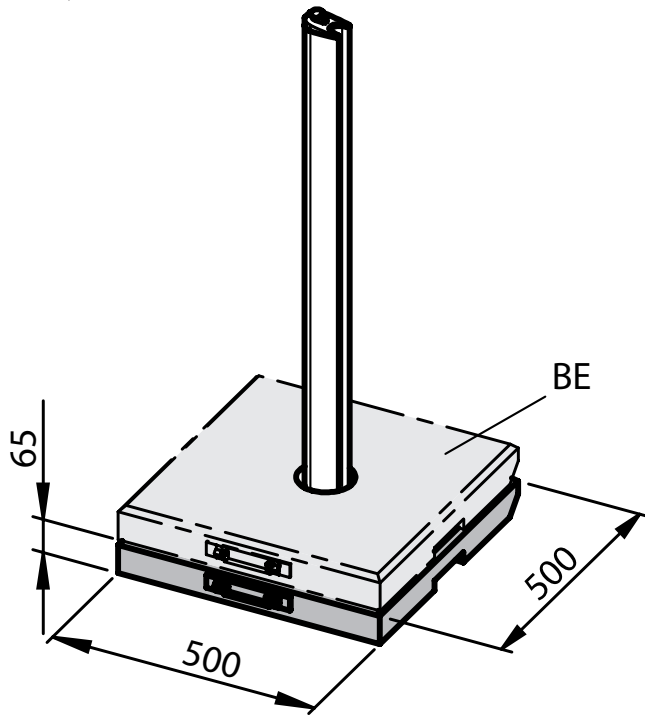


NR = reveal fixture right
NL = reveal fixture left

dimensions in mm

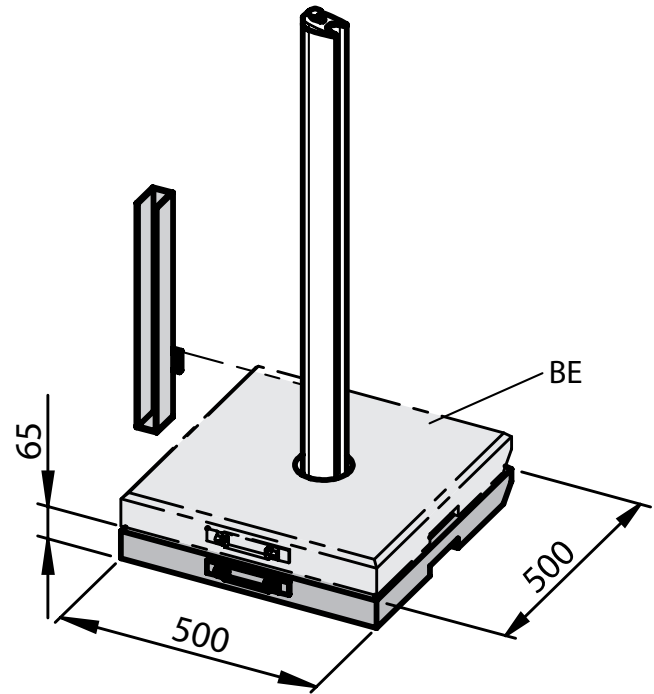
Installation dimensions

Overview of dimensions for the mobilfix (optionally with additional granite slab to weigh it down)



BE = additional granite slab to weigh it down (optional)

Overview of dimensions for the mobilfix +



dimensions in mm

markilux pergola 100

markilux pergola 200

markilux syncra fix / syncra uno fix with folding-arm awnings

markilux syncra fix / syncra uno fix with pergola 100 / 200

markilux syncra flex 2 / syncra uno flex 2 with folding-arm awnings

markilux RS 8000

markilux 790

Optional Accessories

Technical Information

