



markilux Collection

Specification

markilux 780 / 880

markilux 8000

markilux 8000 with curved front

markilux RS 8000

markilux 889

This elegant under-glass awning will perfect the appearance of your glass canopy

markilux 889

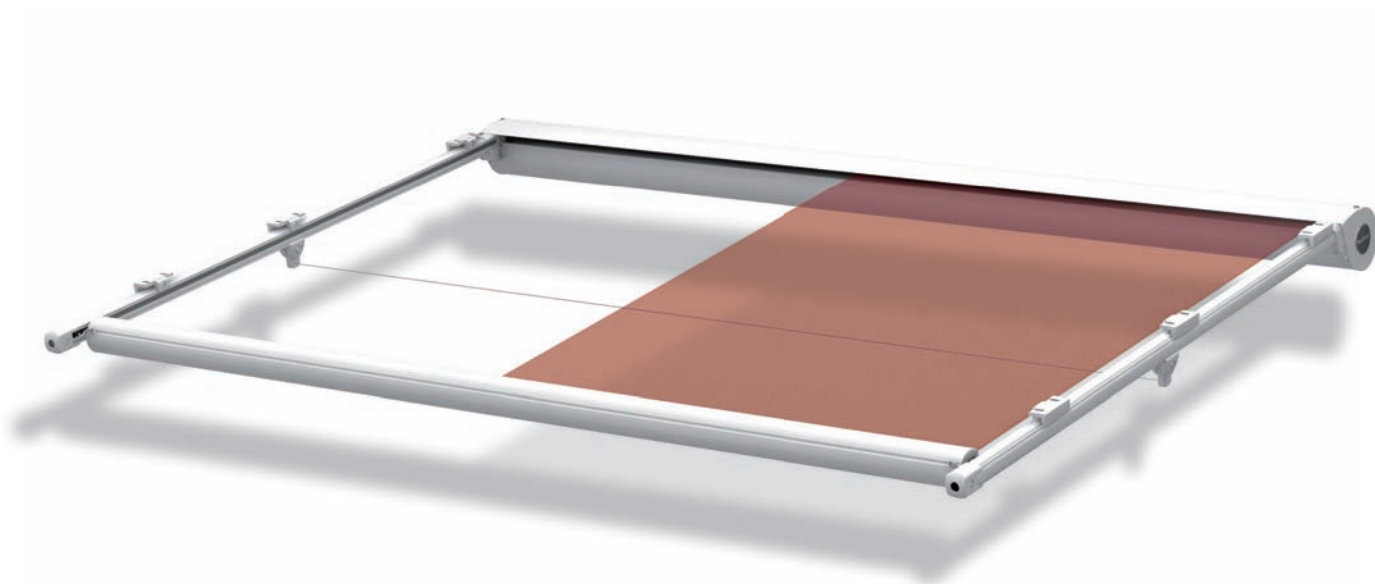
markilux Roof Festoon

Optional Accessories



markilux

Technical Information



markilux 889

This elegant under-glass awning will perfect the appearance of your glass canopy

Design features

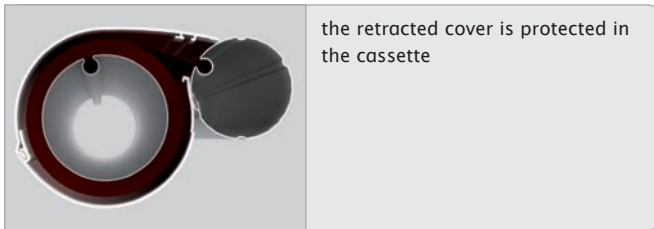
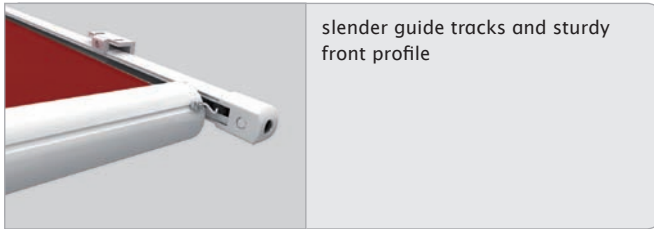
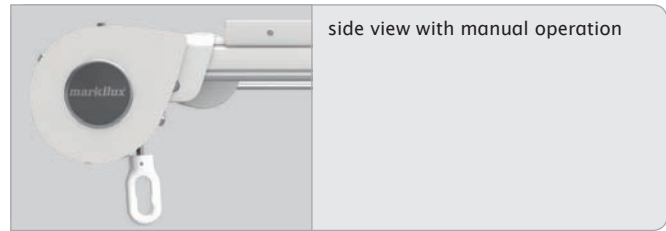
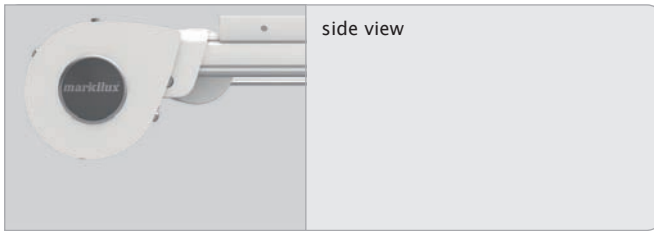
- beautifully crafted, teardrop-shaped aluminium cassette only 130 mm in height
- the compact, rounded profiles make it discreet and unobtrusive
- the panel joints of the awning cover are ultrasonically bonded - for an improved appearance without unsightly stitching
- when retracted the cover is protected from the weather by the cassette, which encloses it completely
- for long-lasting attractiveness the awning has been powder coated
- in the case of manual operation it is supplied with a markilux stainless steel winding handle - quality to get to grips with

Technical highlights

- the 85 mm roller tube ensures the highest rigidity and the best possible cover winding characteristics even at the largest sizes
- awning completely pre-assembled and tested in the factory
- brackets with patented clip-on mechanism for simple, problem free installation
- special vario-belts provide optimum cover tension when the awning is completely extended
- one or two barely visible stainless steel wires limit the sag in the awning cover on larger units

Additional features

- hard-wired motor operation (optionally with automatic weather controls) for straightforward and easy operation
- radio-controlled motor with remote control for comfortable operation, markilux remote control with ergonomic design
- an easily installed, radio control light and wind sensor guarantees comfort and a degree of safety - even in your absence
- awning available in non-standard RAL colours
- markilux infra-red heater in a compact aluminium housing. Caressing warmth without heating-up phase within an area of approx. 9-12 m²



Standard specification
manual operation with stainless steel winding handle
bonded awning cover
sunsilk snc fabric
sunsilk snc signature fabric
acrylic fabric 34
widely woven acrylic fabric
perfortex fabric
transolair fabric

Standard frame colours
traffic white - RAL 9016
metallic aluminium - RAL 9006
grey brown - similar to RAL 8019

Optional accessories
hard-wired or radio-controlled motor with remote control
light and wind sensor
non-standard powder-coated finish

Dimensions and configuration options

		fixture / order width										minimum width hard-wired motor	minimum width radio motor
		150	200	250	300	350	400	450	500	550	600		
overall width		+ 5	+ 5	+ 5	+ 5	+ 5	+ 5	+ 5	+ 5	+ 5	+ 5		
extension	150 ⁴⁾											56	72
	200 ⁴⁾												
	250 ⁴⁾								•	•	•		
	300 ¹⁾							•	•	•	•		
	350						•	•	•	•	•		
	400					•	•	•	•	••	••		
	450	•	•	•	•	•	•	•	•	••	••		
	500 ³⁾	•	•	•	•	• ²⁾							
	550 ³⁾	••	••	••	••	•• ²⁾							
	600 ³⁾	••	••	••	••	•• ²⁾							

- 1) from an extension of 301 cm, 3 brackets per track
 2) max. fixture width is 325 cm. in these sizes
 3) only possible in widely woven acrylic fabric from an extension of 451 cm
 4) 2 track brackets per guide track (3 track brackets in the case of a cover support wire)

- dimensions in cm
- = available
 - = 1 cover support consisting of a stainless steel wire and 3 track brackets per guide track
 - = 2 cover supports consisting of a stainless steel wire and 4 track brackets per guide track

Type of shading	
exterior	–
interior	•
Operation	
hard-wired motor	○
radio-controlled motor	○*
manual operation with stainless steel winding handle	•
cord pulley system	–
operating rod	–
Covers	
sun silk snc (fabric series 324xx/329xx)	• ¹
sun silk snc signature (fabric series 369xx)	• ¹
acrylic 34 (fabric series 341xx-347xx)	• ¹
widely woven acrylic (fabric series 349xx)	• ²
sun silk perla FR (fabric series 374xx/379xx)	○ ³
perfortex (fabric series 333xx)	• ¹
transolair (fabric series 339xx)	• ⁴
Trevira CS	–
Soltis 92	–
PVC fabric	–
Miscellaneous	
wall sealing profile	–
frame system markilux RS 8000	–
cover profiles for gap between tracks and cover	–
Sunis light sensor	○
Coupled units	
coupled unit, 2 fields	–
coupled unit, 3 fields	–

- = standard specification
- = optional accessories
- = not available
- * = radio-controlled motor using 433 MHz technology
- ¹ = only up to an extension of 450 cm
- ² = only up to a fixture width of 400 cm; from a fixture width of 329 cm and an extension of 330 cm with horizontal seam
- ³ = only up to an extension of 450 cm
- ⁴ = only up to an extension of 450 cm; from a fixture width of 261 cm and an extension of 262 cm with horizontal seam

Housing tolerances / Awning cover dimensions	Width	Extension
housing tolerance	+5 / -10	
awning cover width = fixture width less	80 motor operation	
	90 manual operation	
awning cover length = awning extension less		145

dimensions in mm

The width of the awning cover is always less than the width of the awning.

Fixture / order width definition: The order width is the awning fixture width i.e. the measurement from fixture point to fixture point underneath the glass roof. The overall width is larger than the fixture width (v. matrix). The tolerance in the width is +0 / 10 mm.





Definition of extension: the nominal extension is measured with the awning extended from the back of the cassette to the leading edge of the front profile (the guide tracks will extend 75 mm past this point). The tolerance in the extension is +40 / -40 mm.

N.B.! If the motor is used continuously it will stop automatically after 3 to 4 minutes to prevent overheating.

Definition of operating side: the operating side is always given as if seen from the outside (right or left).

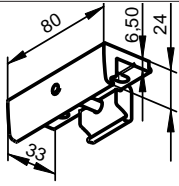
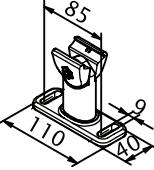
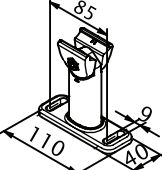
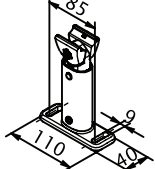
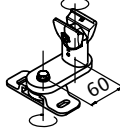
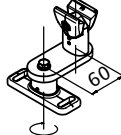
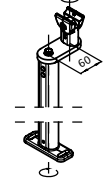
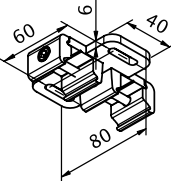
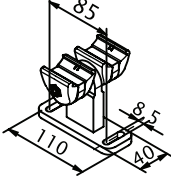
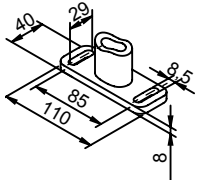
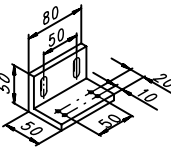
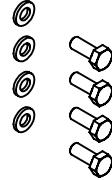
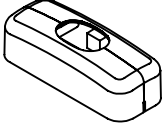
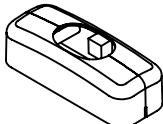
The extension rate with a **hard-wired motor** is approx. **9 seconds per metre** and with a **radio-controlled motor** approx. **14 seconds per metre**.

Due to its own weight a certain amount of sag in the cover is possible from a **fixture width of 450 cm**. Similarly all profiles may deflect slightly for the same reason. Neither phenomenon has any negative effect on the function or operation of the awning if it has been fitted correctly.

Frame colours		
traffic white - RAL 9016		•
metallic aluminium - RAL 9006		•
grey brown - similar to RAL 8019		•
non-standard powder-coated finish		○

* Colours similar to the RAL chart - these may differ slightly from those depicted in both hue and finish.

Fixtures, fittings and accessories

 <p>Fixture type 10, 15 Flat track bracket</p> <p>78548.</p>	 <p>Fixture type 20 Track bracket with adjustable head</p> <p>80 mm</p> <p>78451.</p>	 <p>Fixture type 21 Track bracket with adjustable head</p> <p>100 mm</p> <p>78538.</p>
 <p>Fixture type 22 Track bracket with adjustable head</p> <p>140 mm</p> <p>78539.</p>	 <p>Universal track bracket</p> <p>80 mm</p> <p>78542.</p>	 <p>Universal track bracket</p> <p>100 mm</p> <p>78543.</p>
 <p>Universal track bracket</p> <p>140 - 500 mm</p> <p>78545.</p>	 <p>Double flat track bracket</p> <p>2 single units</p> <p>78671.</p>	 <p>Double track bracket with adjustable head,</p> <p>80 mm</p> <p>2 single units</p> <p>78654.</p>
 <p>Fixture dimensions of adjustable top track brackets</p>	 <p>Fixture type 15 Additional angle bracket, bearing/gearbox/motor side</p> <p>50 x 50 x 80 mm (fixture between beams, walls etc.)</p> <p>please order additional accessories 787211!</p> <p>78719.</p>	 <p>Fixture type 15 Accessories for two angled brackets 78719.</p> <p>787211.</p>
 <p>Decorative cap assembly for track bracket</p> <p>for: 78081., 78086., 78094., 78247., 78451., 78538., 78543., 78454., 78663.</p> <p>76603.</p>	 <p>Decorative cap assembly for track bracket</p> <p>for: 78082., 78087., 78095., 78105., 78107., 78108., 78251., 78539., 78540., 78545., 78665., 78664., 78685.</p> <p>76604.</p>	

. = Please insert the RAL No. (please refer to the section on "Coatings")

markilux Collection

Specification

markilux 780 / 880

markilux 8000

markilux 8000 with curved front

markilux RS 8000

markilux 8500

markilux 889

markilux Roof Festoon

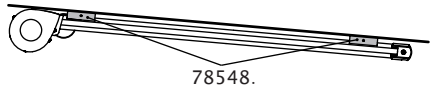
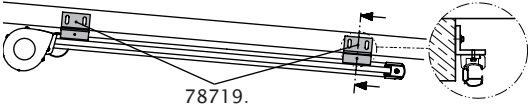
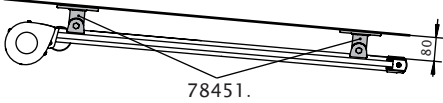
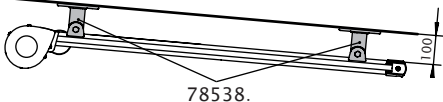
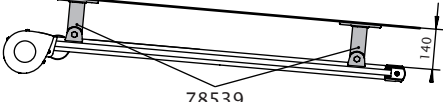
Optional Accessories

Technical Information

Fixture combinations

all brackets incur a surcharge

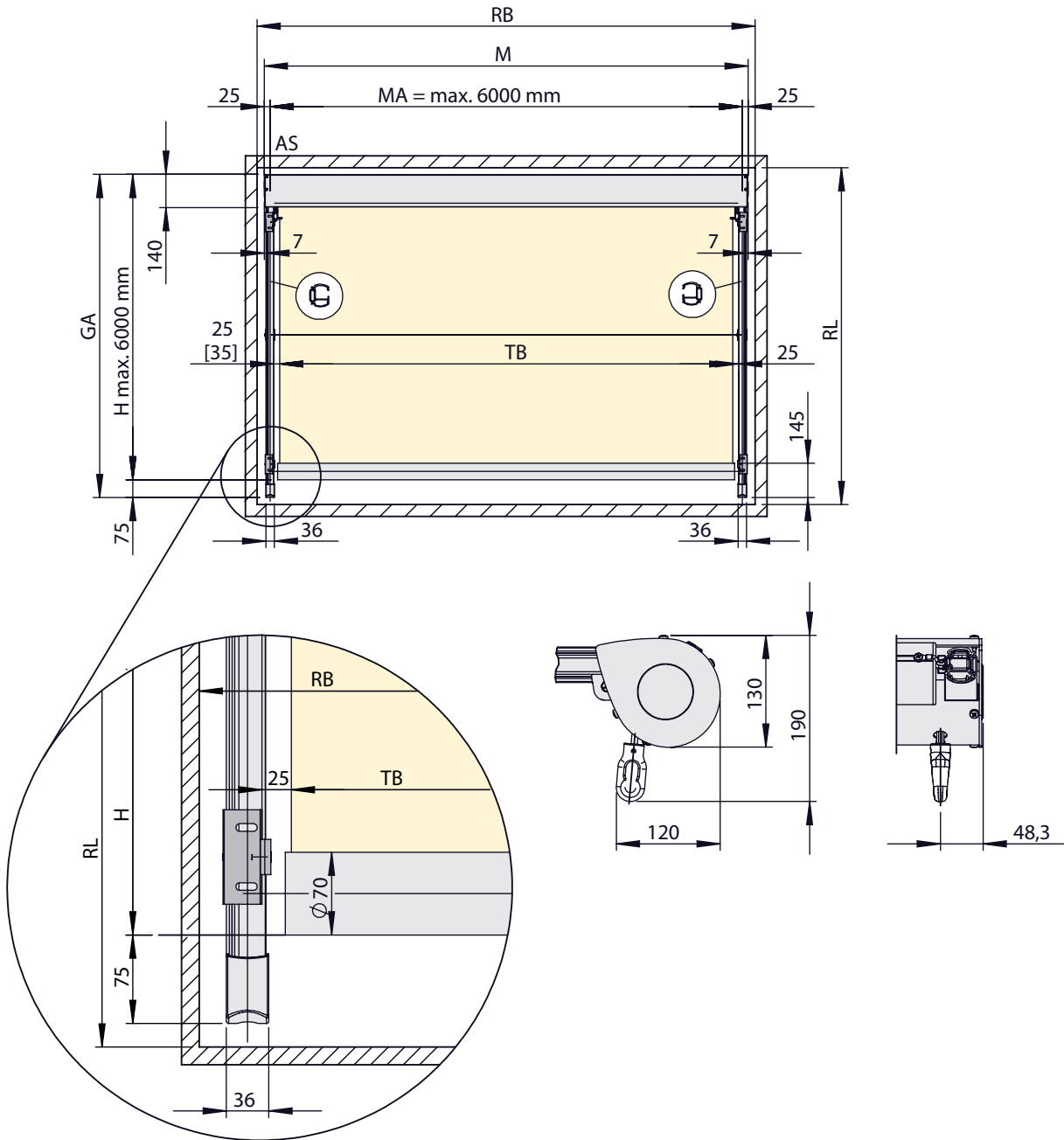
Fixture type

10	 <p>78548.</p>	<ul style="list-style-type: none"> · from an extension of 3001 mm, 3 brackets per track · cover sag during extension and retraction may reach approx. 350 mm
15	 <p>78719.</p>	
20	 <p>78451.</p>	
21	 <p>78538.</p>	
22	 <p>78539.</p>	

Individual bracket combinations - see "Fixtures, fittings and accessories". Make sure you note the minimum quantity required for the width and unit height you have ordered!

Installation dimensions

Dimensions single unit



dimensions in mm

- H = nominal extension = order extension
- M = overall awning width
- MA = awning fixture width = fixture width = order width
- TB = cover width
- AS = operation side
- GA = overall extension
- RL = room length
- RB = room width
- [...] = dimensions in the case of manual operation

markilux Collection

Specification

markilux 780 / 880

markilux 8000

markilux 8000 with curved front

markilux RS 8000

markilux 8500

markilux 889

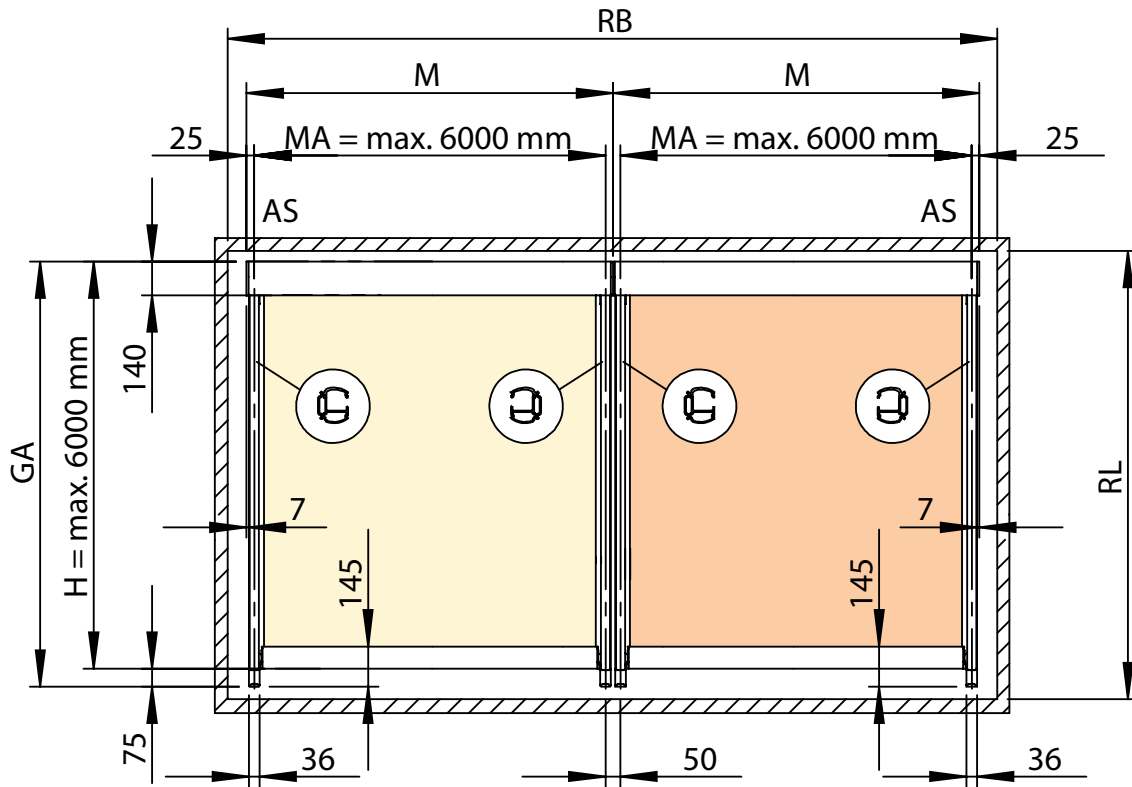
markilux Roof Festoon

Optional Accessories

Technical Information

Installation dimensions

dimensional overview two single units

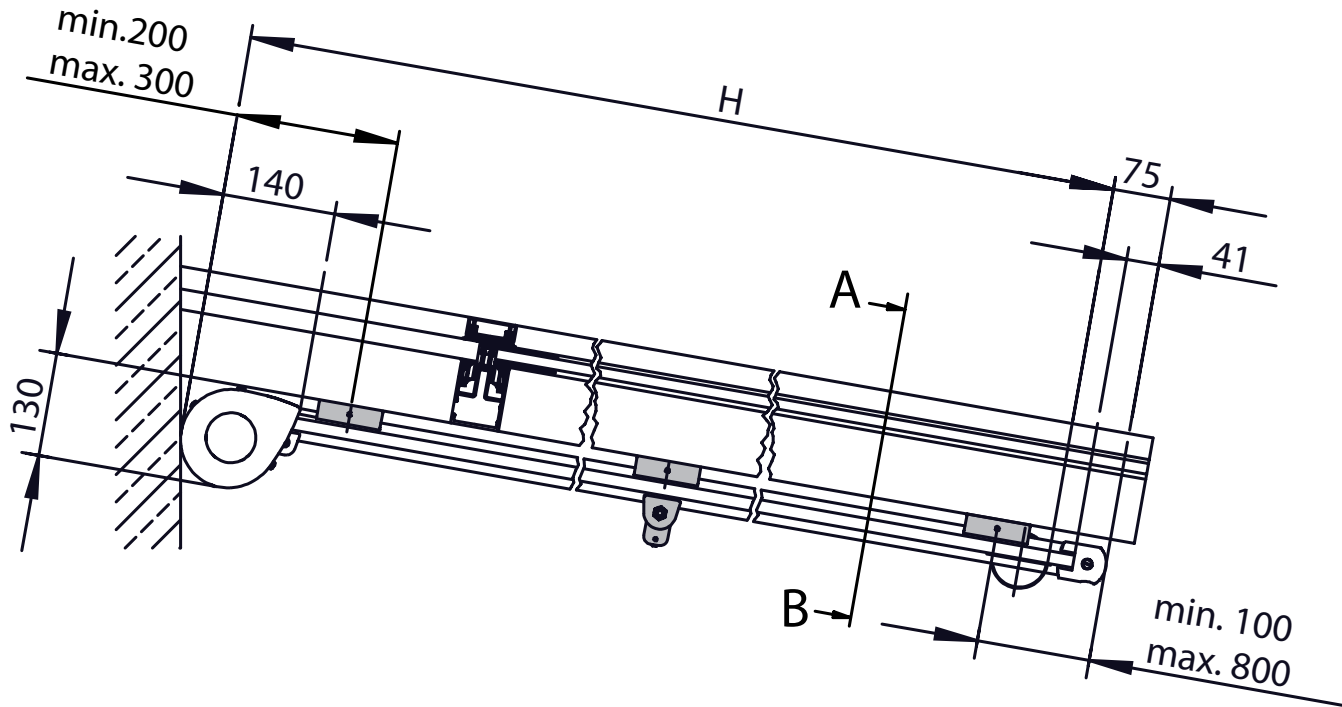


dimensions in mm

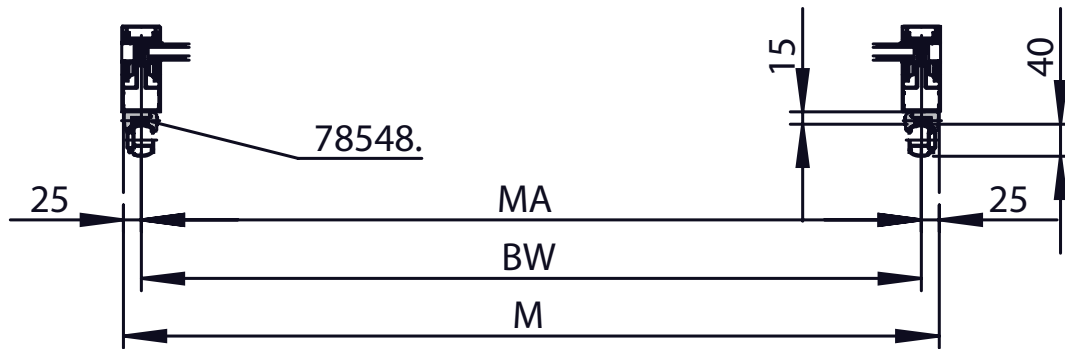
- H = nominal extension = order extension
- M = overall awning width
- MA = awning fixture width = fixture width = order width
- AS = operation side
- GA = overall extension
- RL = room length
- RB = room width

Installation dimensions

fixture type 10



S A - B

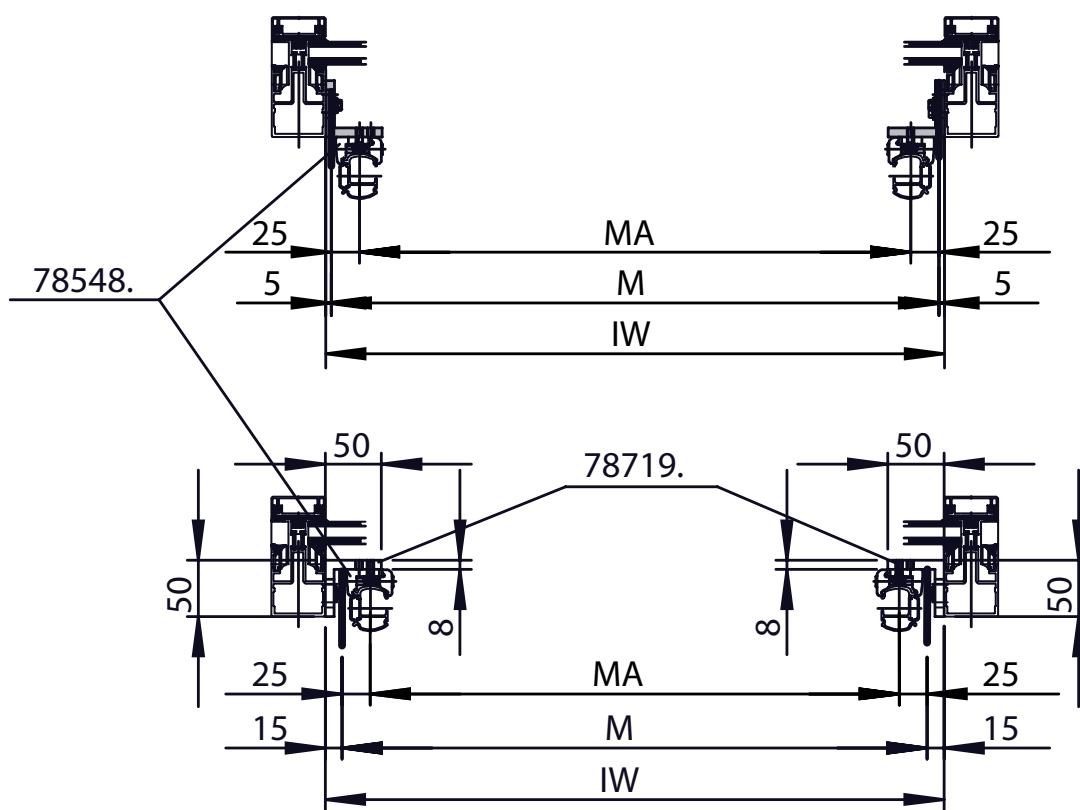
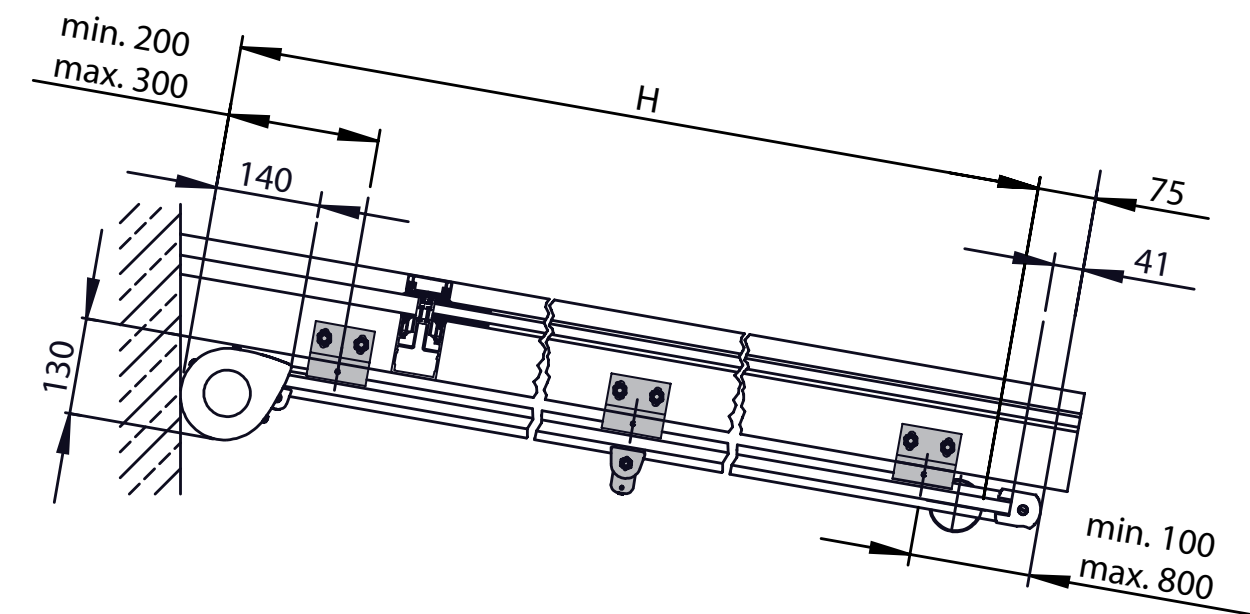


dimensions in mm

- H = nominal extension = order extension
- M = overall awning width
- MA = awning fixture width = fixture width = order width
- BW = fixture width on conservatory
- S = cross section
- 78548 = extension up to 3000 mm, 2 per track, extension from 3001 mm, 3 per track

Installation dimensions

fixture type 15, with angled plates (for fixture between beams, walls etc.)

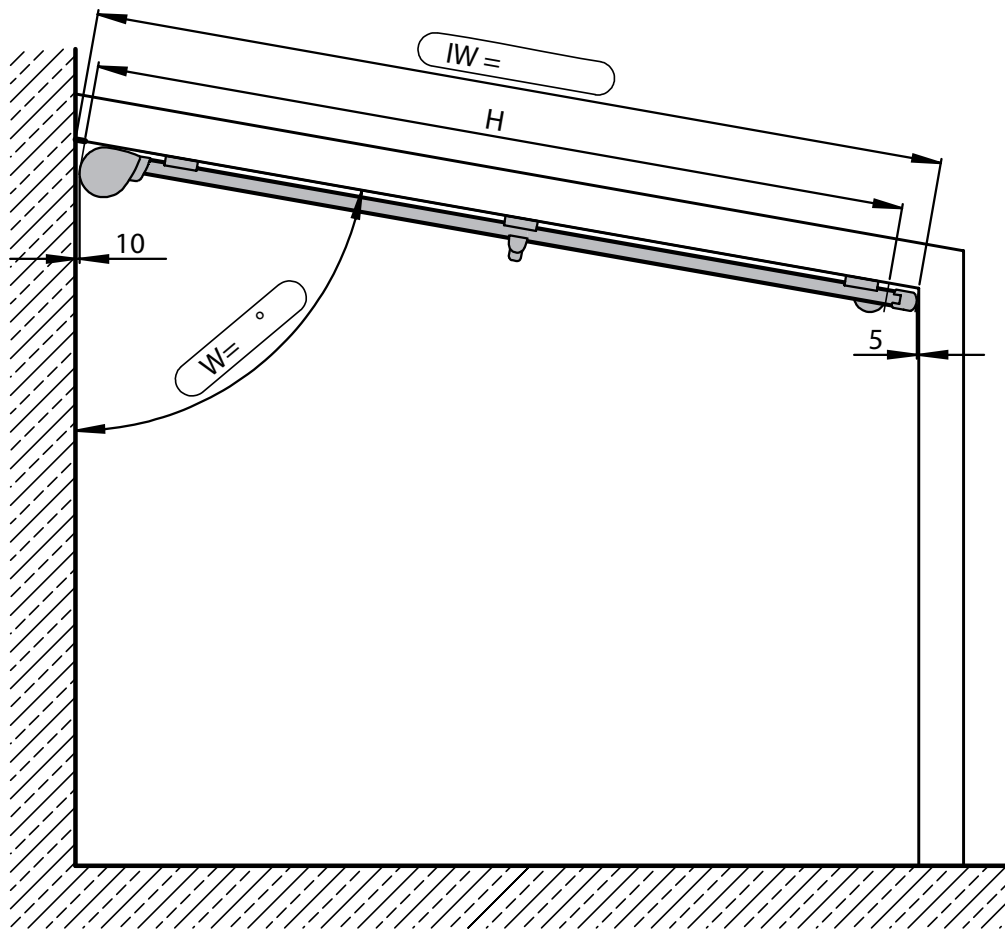


dimensions in mm

- H = nominal extension = order extension
- M = overall awning width
- MA = awning fixture width = fixture width = order width
- IW = interior conservatory dimension
- 78548. = track bracket, up to an extension of 3000 mm, 2 per track, from an extension of 3001 mm, 3 per track
- 78719. = additional angle bracket, bearing/gearbox/motor side, extension up to 3000 mm, 2 per track, extension from 3001 mm, 3 per track

Installation dimensions

Orders are to be submitted with all the conservatory dimensions shown in the diagram



$$H = IW - DIF$$

W	DIF
90°	90
85°	93
80°	97
75°	102
70°	109
65°	116
60°	125
55°	136
50°	150
45°	167

- H = nominal extension = order measurement = IW - DIF (see table)
- IW = interior conservatory dimension
- W = angle bracket
- DIF = difference interior conservatory dimension to extension

dimensions in mm

