



markilux Collection

Specification

markilux 780 / 880

markilux 8000

**markilux 8000**  
with curved front

markilux RS 8000

markilux 8500

markilux 889

markilux Roof Festoon

Optional Accessories

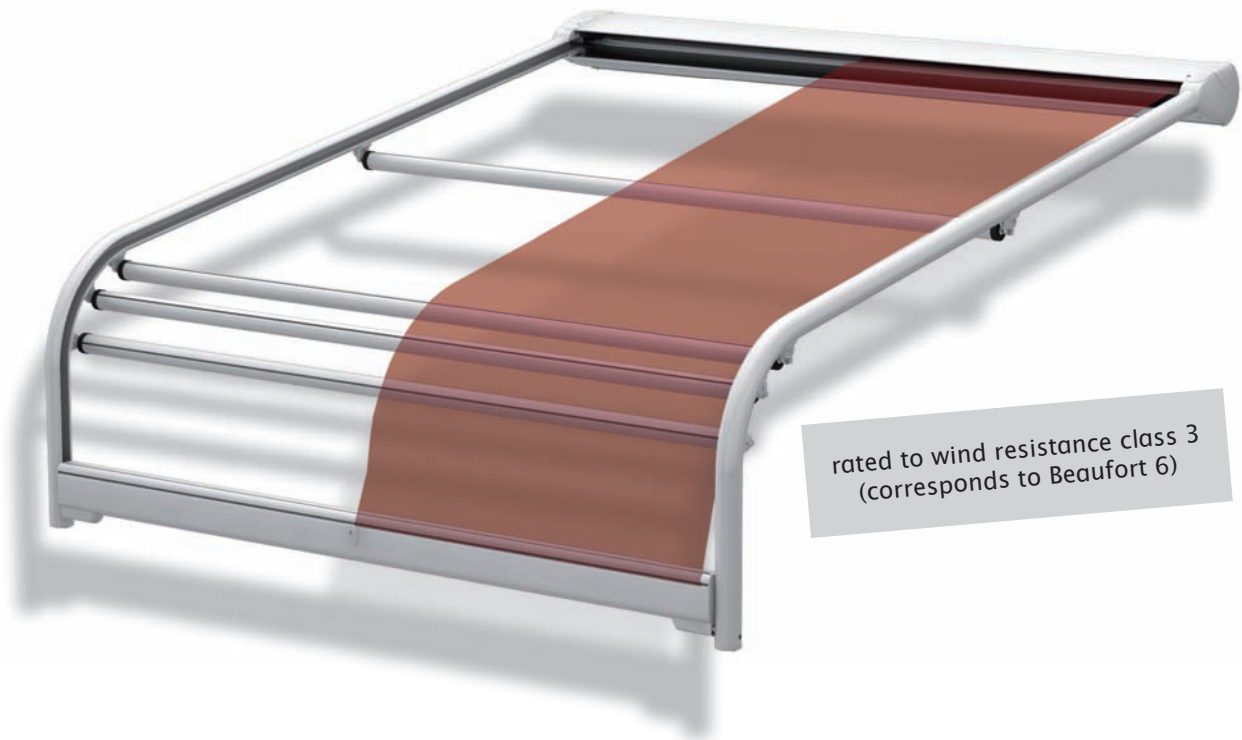
Technical Information

## **markilux** 8000 with curved front

The markilux conservatory awning that "goes round the bend"



# *markilux*



## markilux 8000 with curved front

The markilux conservatory awning that "goes round the bend"

### Design features

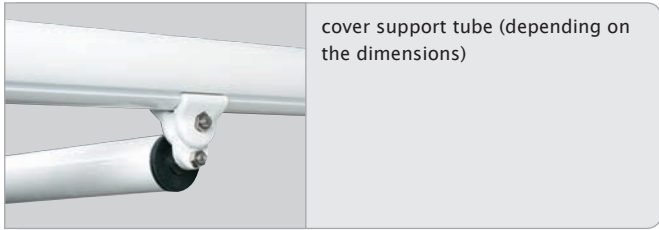
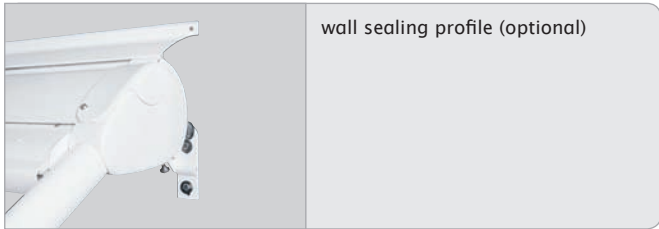
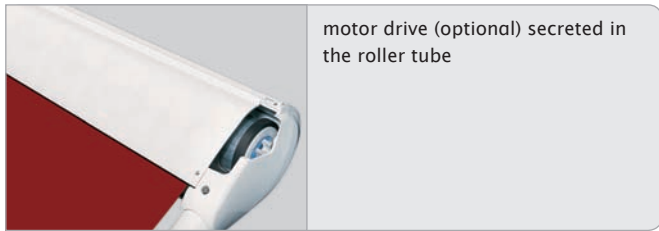
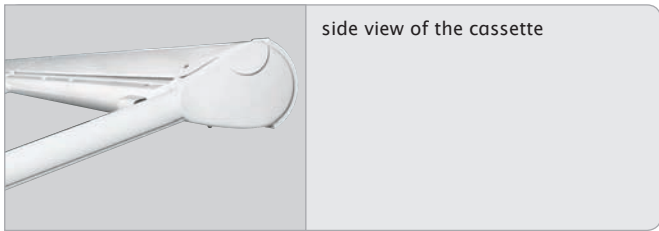
- the cassette profile, the guide tracks and the front profile complement one another perfectly and result in an elegant appearance down to the last detail
- attractive, rounded end caps complete the appearance of this very compact cassette
- guide tracks in one piece without unsightly and technically inferior joints
- when retracted the cover is protected from the weather by the cassette, which encloses it completely

### Technical highlights

- exterior solar shading so the heat does not get into the conservatory in the first place
- particularly sturdy cassette, track and front profile design. For safe solar protection in all winds and weathers (max. wind speed Beaufort 6)
- awnings more than 400 cm in width are available as coupled units
- the curve is made to fit the conservatory precisely
- permanently high cover tension is achieved by way of two special gas-piston mechanisms operating independently of one another
- brackets with patented clip-on mechanism for simple, problem free installation

### Additional features

- radio-controlled motor with remote control for comfortable operation, markilux remote control with ergonomic design
- an easily installed, radio control light and wind sensor guarantees comfort and a degree of safety - even in your absence
- wall sealing profile to cover the gap between awning and wall
- to simplify fixture a broad selection of brackets is available
- awning available in non-standard RAL colours



Standard specification
hard-wired motor
bonded awning cover
sunsilk snc fabric
sunsilk snc signature fabric
acrylic fabric 34
perfortex fabric
transolair fabric

Standard frame colours
traffic white - RAL 9016
metallic aluminium - RAL 9006
grey brown - similar to RAL 8019

Optional accessories
radio-controlled motor with remote control
wall sealing profile
frame system markilux RS 8000
light and wind sensor
coupled units
non-standard powder-coated finish


## Dimensions and configuration options

single unit 1 field, 1 motor

		fixture / order width						minimum fixture width	minimum fixture width in the case of Soltis 92
		150	200	250	300	350	400		
		74 - 150	151 - 200	201 - 250	251 - 300	301 - 350	351-400		
overall width		+ 8	+ 8	+ 8	+ 8	+ 8	+ 8		
extension	150							74	112
	200							79	112
	250							79	112
	300							79	112
	350							112	112
	400							112	112
	450							112	149
	500							112	149
	550							112	149
	600							122	149
	650							122	149
	700							122	149

dimensions in cm

The exact number of brackets, cover support and relieving rollers will depend on the specification of the awning. Use the dimension sheet for a monopitch conservatory.

 = available

Type of shading	
exterior	●
interior	-
Operation	
hard-wired motor	●
radio-controlled motor	○*
manual operation with stainless steel winding handle	-
cord pulley system	-
operating rod	-
Covers	
sun silk snc (fabric series 324xx/329xx)	●
sun silk snc signature (fabric series 369xx)	●
acrylic 34 (fabric series 341xx-347xx)	●
widely woven acrylic (fabric series 349xx)	-
sun silk perla FR (fabric series 374xx/379xx)	○
perfortex (fabric series 333xx)	●
transolair (fabric series 339xx)	●
Trevira CS	-
Soltis 92	○
PVC fabric	-
Miscellaneous	
wall sealing profile	○ <sup>1</sup>
frame system markilux RS 8000	○
cover profiles for gap between tracks and cover	-
light and wind sensor	○
Coupled units	
coupled unit, 2 fields	○
coupled unit, 3 fields	○

- = standard specification
- = optional accessories
- = not available
- \* = radio-controlled motor using 433 MHz technology
- <sup>1</sup> = wall sealing profile effective up to a maximum awning pitch of 25°

Housing tolerances / Awning cover dimensions	Width	Extension
housing tolerance	+5 / -10	
awning cover width = fixture width less	90 / 80*	
awning cover length = awning extension less/plus		on request

\* when the cover is in perfortex and the overall width of the awning is less than 170 cm dimensions in mm

The width of the awning cover is always less than the width of the awning. Coupled units on request

**Dimension sheets** for conservatories can be found at the end of this section. Orders should be submitted with the dimensions of the conservatory. Orders will only be released for production once all technical details have been clarified. A technical drawing will be sent to you which you must sign off before production can begin.

**Fixture/order width definition:** The fixture/order width is the measurement from track centre to track centre i.e. from fixture point to fixture point on the conservatory. The overall width of the awning is 80 mm greater than the fixture width. The fixture width tolerance is + 0 mm / - 20 mm.

**Definition of extension:** the nominal extension is measured with the awning extended from the back of the cassette to the leading edge of the front profile (the guide tracks will extend 70 mm past this point). The tolerance in the extension is + 40 / - 40 mm.

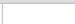



**Definition of operating side:** the operating side is always given as if seen from the outside (right or left).

**N.B.!** If the motor is used continuously it will stop automatically after 3 to 4 minutes to prevent overheating.

**N.B.!** In contrast to standard motors, radio-controlled motors have no safety cut-out mechanism if the front profile is obstructed. If this function is required in combination with radio-controlled operation, order the hard-wired motor with an external radio receiver and an appropriate transmitter.

In the case of a bank of awnings operating simultaneously, the same speed of rotation of the motors cannot be guaranteed because of the internal tolerances of the motors.

The rate of extension of a single unit with hard-wired motor is approximately 11 seconds per metre.

Frame colours		
traffic white - RAL 9016		●
metallic aluminium - RAL 9006		●
grey brown - similar to RAL 8019		●
non-standard powder-coated finish		○

\* Colours similar to the RAL chart - these may differ slightly from those depicted in both hue and finish.

## Dimensions and configuration options

coupled unit 2 fields, 1 or 2 motors

		fixture / order width							
		450	500	550	600	650	700	750	800
		401-450	451-500	501-550	551-600	601-650	651-700	701-750	751-800
overall width		+ 8	+ 8	+ 8	+ 8	+ 8	+ 8	+ 8	+ 8
extension	150								
	200								
	250								
	300								
	350								
	400								
	450								
	500								
	550								
	600								
650									
700									

dimensions in cm

coupled unit 3 fields, 2 motors

		fixture / order width												
		600	650	700	750	800	850	900	950	1000	1050	1100	1150	1200
		551-600	601-650	651-700	701-750	751-800	801-850	851-900	901-950	951-1000	1001-1050	1051-1100	1101-1150	1151-1200
overall width		+ 8	+ 8	+ 8	+ 8	+ 8	+ 8	+ 8	+ 8	+ 8	+ 8	+ 8	+ 8	+ 8
extension	150													
	200													
	250													
	300													
	350													
	400													
	450													
	500													
	550													
	600													
650														
700														

dimensions in cm

The exact number of brackets, cover support and relieving rollers will depend on the specification of the awning. Use the dimension sheet for a monopitch conservatory.

= available

**Coupled conservatory awnings are available up to a max. width of 3 single units (3 fields) side by side.**

In the case of coupled units with 2 or 3 fields and 2 motors **unequal running speeds** due to tolerances in the motor speeds can occur.

In the case of **coupled units with fields of differing sizes** smooth rolling-up behaviour of the covers cannot be guaranteed. This has no bearing on the functionality or the durability of the cover.

The matrices above assume equal field widths in coupled awnings. If a coupled unit of **unequal field width** is required, for which a cover support tube is required on the larger awning - if only for aesthetic reasons - **one should also be fitted** to the smaller awning (see matrix for 1 field).

In the case of coupled units **up to a fixture width of 700 cm** the cassette will be supplied in **one piece**. If, for transportation or fixture reasons, the cassette needs to be split, please note this explicitly when ordering.

The rate of extension of coupled units with **2 fields, 1 Motor and 3 fields, 2 motors** is approximately **16 seconds per metre**. In the case of coupled units with **2 fields, 2 motors** extension takes as long as with **single awnings** i.e. approx. **16 seconds per metre**.

In the case of 2 motors, **the individual motors can be operated independently of one another**.

Maximum awning size: please refer to the matrix for single units!

If coupled blinds are fitted into a **recess** or **reveal** the overall width of the coupled awning must be at least 6 cm less than the width of the opening to allow the awning to be coupled. Make a special note if an awning is to be fitted into a recess or reveal and note the recess/reveal dimensions separately on the order.

markilux Collection

Specification

markilux 780 / 880

markilux 8000

**markilux 8000 with curved front**

markilux RS 8000

markilux 8500

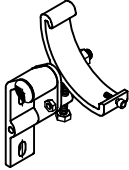
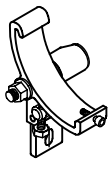
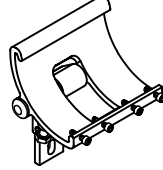
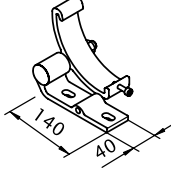
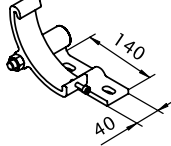
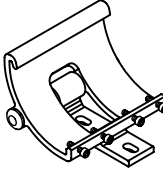
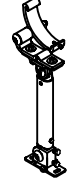

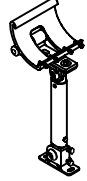
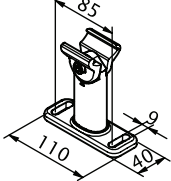
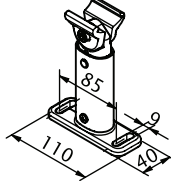
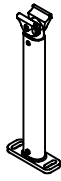
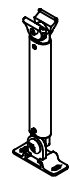
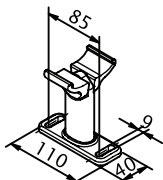
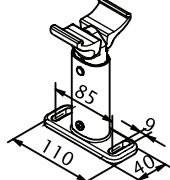
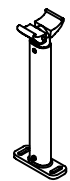
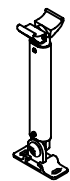
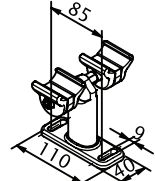
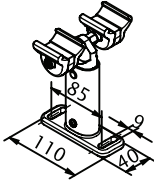
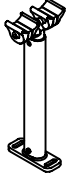
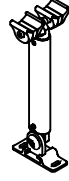
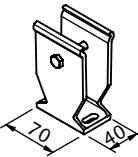
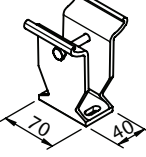
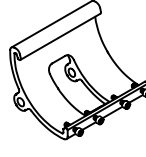
markilux 889

markilux Roof Festoon

Optional Accessories




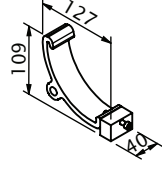
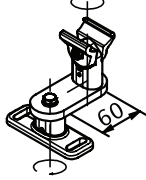
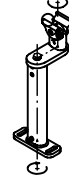
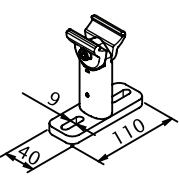
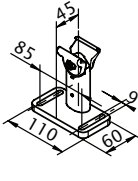
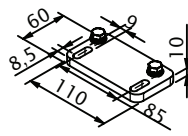
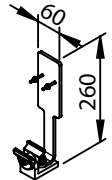
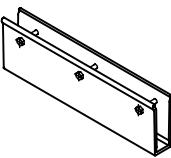
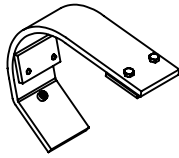
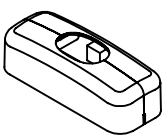
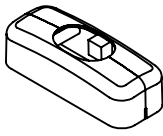
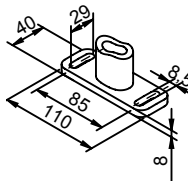
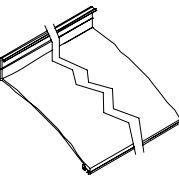
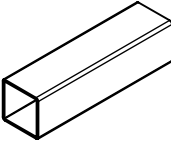
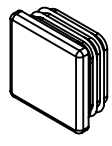
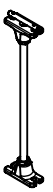
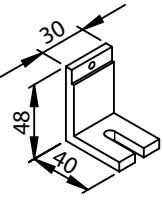
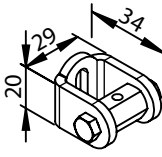
Technical Information

## Fixtures, fittings and accessories

 <p>Face fixture bracket assembly left</p> <p>78117.</p>	 <p>Face fixture bracket assembly right</p> <p>78118.</p>	 <p>Cassette coupling bracket assembly for face fixture</p> <p>78330.</p>
 <p>Bottom fixture bracket assembly left</p> <p>78121.</p>	 <p>Bottom fixture bracket assembly right</p> <p>78122.</p>	 <p>Cassette coupling bracket assembly bottom</p> <p>78329.</p>
 <p>Raised cassette fixture bracket assembly left</p> <p>78125.</p>	 <p>Raised cassette fixture bracket assembly right</p> <p>78126.</p>	 <p>Raised cassette fixture bracket assembly for coupling point</p> <p>78332.</p>
 <p>Track bracket assembly with adjustable head 100 mm</p> <p>78081.</p>	 <p>Track bracket assembly with adjustable head 140 mm</p> <p>78105.</p>	 <p>Track bracket assembly with adjustable head 100 - 500 mm</p> <p>78082.</p>
 <p>Track bracket assembly with adjustable head and foot 200 - 500 mm</p> <p>78083.</p>	 <p>Coupling track bracket assembly with adjustable head 100 mm</p> <p>78086.</p>	 <p>Coupling track bracket assembly with adjustable head 140 mm</p> <p>78107.</p>
 <p>Coupling track bracket assembly with adjustable head 100 - 500 mm</p> <p>78087.</p>	 <p>Coupling track bracket assembly with adjustable head and foot 200 - 500 mm</p> <p>78088.</p>	 <p>Double track bracket assembly with adjustable head 100 mm</p> <p>78094.</p>
 <p>Double track bracket assembly with adjustable head 140 mm</p> <p>78108.</p>	 <p>Double track bracket assembly with adjustable head 100 - 500 mm</p> <p>78095.</p>	 <p>Double track bracket assembly with adjustable head and foot 200 - 500 mm</p> <p>78096.</p>
 <p>Track bracket assembly for track fixture, rigid</p> <p>78113.</p>	 <p>Coupling track bracket assembly for track fixture, rigid</p> <p>78115.</p>	 <p>Cassette coupling bracket assembly for track fixture, rigid</p> <p>78333.</p>

. = Please insert the RAL No. (please refer to the section on "Coatings")

## Fixtures, fittings and accessories

 <p>78085.</p>	 <p>78084.</p>	 <p>78089.</p>
 <p>78145.</p>	 <p>78247.</p>	 <p>78251.</p>
 <p>78162.</p>	 <p>78161.</p>	 <p>78165.</p>
 <p>78171.</p>	 <p>78252.</p>	 <p>78374.</p>
 <p>76603.</p>	 <p>76604.</p>	
 <p>77780.</p>	 <p>75310.</p>	 <p>75430.</p>
 <p>71780.</p>	 <p>78128.</p>	 <p>71790.</p>

. = Please insert the RAL No. (please refer to the section on "Coatings")

markilux Collection

Specification

markilux 780 / 880

markilux 8000

markilux 8000 with curved front

markilux RS 8000

markilux 8500

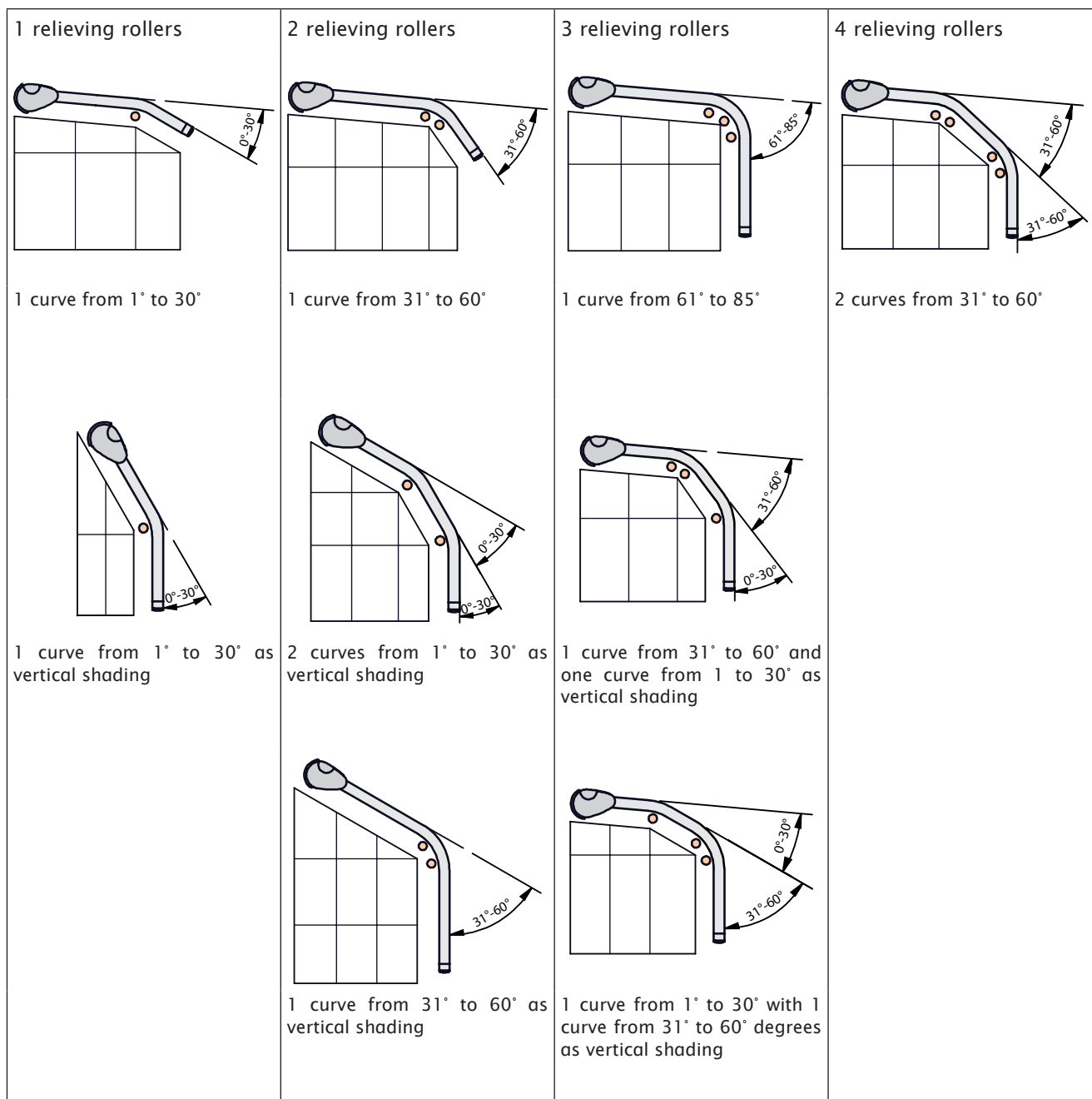
markilux 889

markilux Roof Festoon

Optional Accessories

Technical Information

max. field-width 400 cm, extension 700 cm



markilux 8000 order no. Model code	1 curve 1 field 1 motor	2 curves 1 field 1 motor	1 curve 2 fields 1 motor	2 curves 2 fields 1 motor	1 curve 2 fields 2 motors	2 curves 2 fields 2 motors	1 curve 3 fields 2 motors	2 curves 3 fields 2 motors
1 relieving rollers	8000- 1-1-1-1		8000- 1-2-1-1		8000- 1-2-2-1		8000- 1-3-2-1	
2 relieving rollers	8000- 1-1-1-2	8000- 2-1-1-2	8000- 1-2-1-2	8000- 2-2-1-2	8000- 1-2-2-2	8000- 2-2-2-2	8000- 1-3-2-2	8000- 2-3-2-2
3 relieving rollers	8000- 1-1-1-3	8000- 2-1-1-3	8000- 1-2-1-3	8000- 2-2-1-3	8000- 1-2-2-3	8000- 2-2-2-3	8000- 1-3-2-3	8000- 2-3-2-3
4 relieving rollers		8000- 2-1-1-4		8000- 2-2-1-4		8000- 2-2-2-4		8000- 2-3-2-4

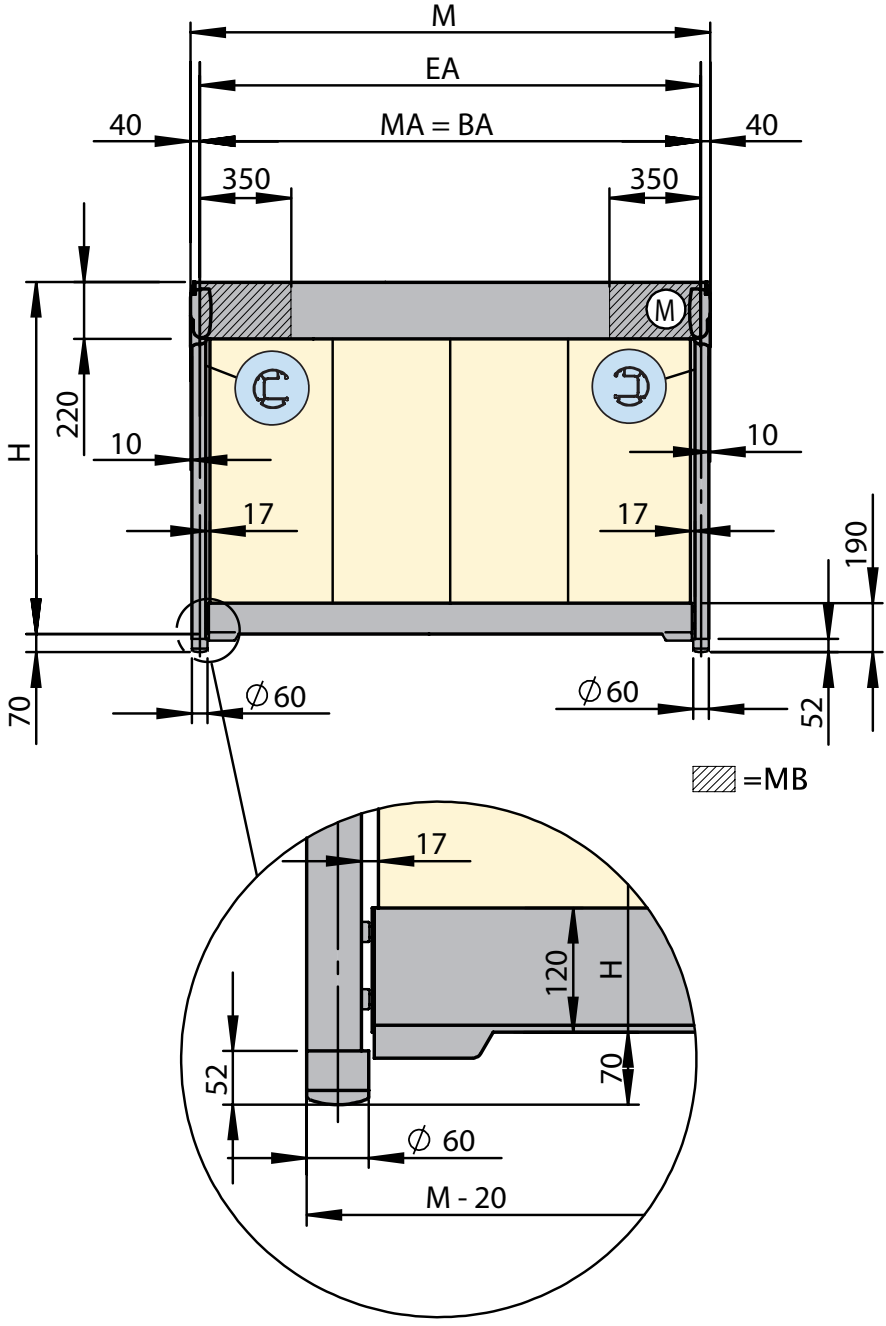
The model code consists of the **basic type** and the **number of curves, fields, motors and relieving rollers**

**For example:**  
markilux-8000-1-2-1-2 = **order no. 1212....**

basic model	curve	field(s)	motor(s)	relieving roller(s)
markilux-8000	1	2	1	2

**Installation dimensions**

single unit 1 field, 1 motor



dimensions in mm

- M = overall awning width
- H = extension
- EA = single unit
- BA = width between fixing points
- MA = awning width between fixture points = fixture width = order width
- D1 = detail of the single guide track
- MB = bracket fixture range
- Ⓜ = motor

markilux Collection

Specification

markilux 780 / 880

markilux 8000

**markilux 8000 with curved front**

markilux RS 8000

markilux 8500

markilux 889

markilux Roof Festoon

Optional Accessories

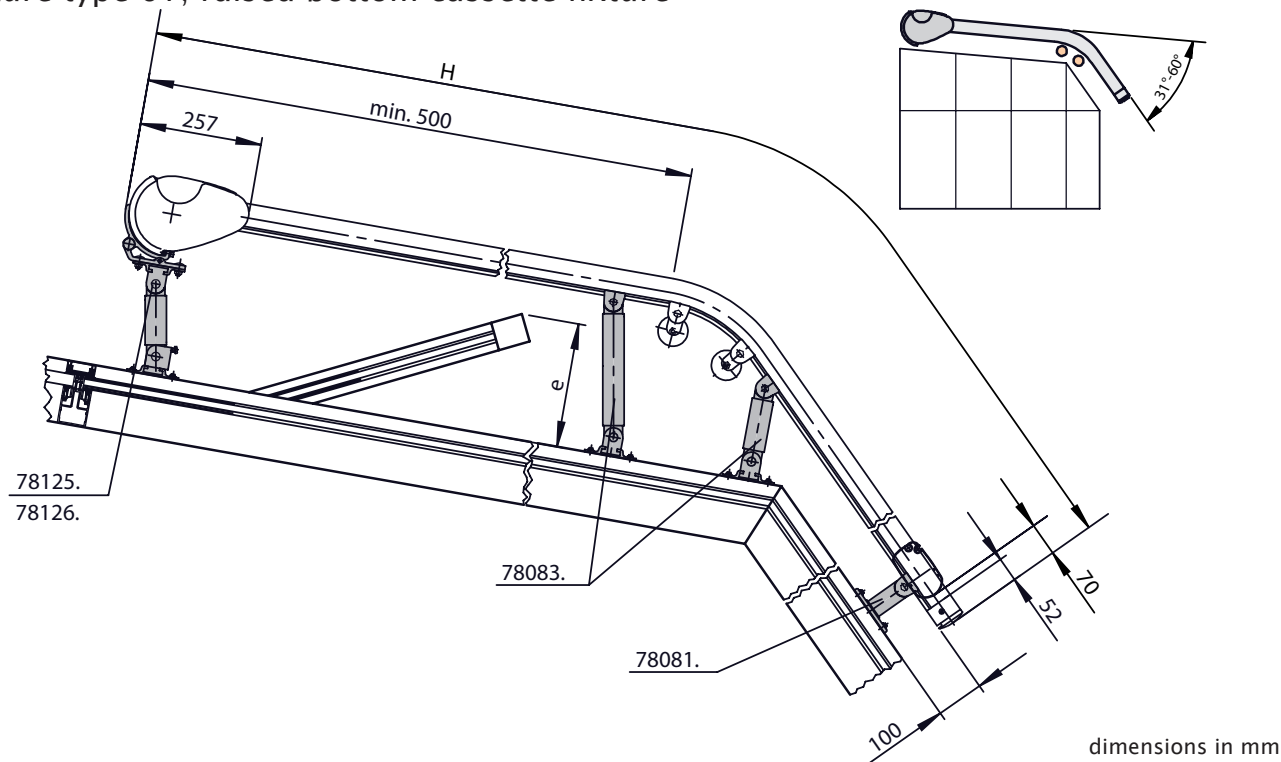
Technical Information



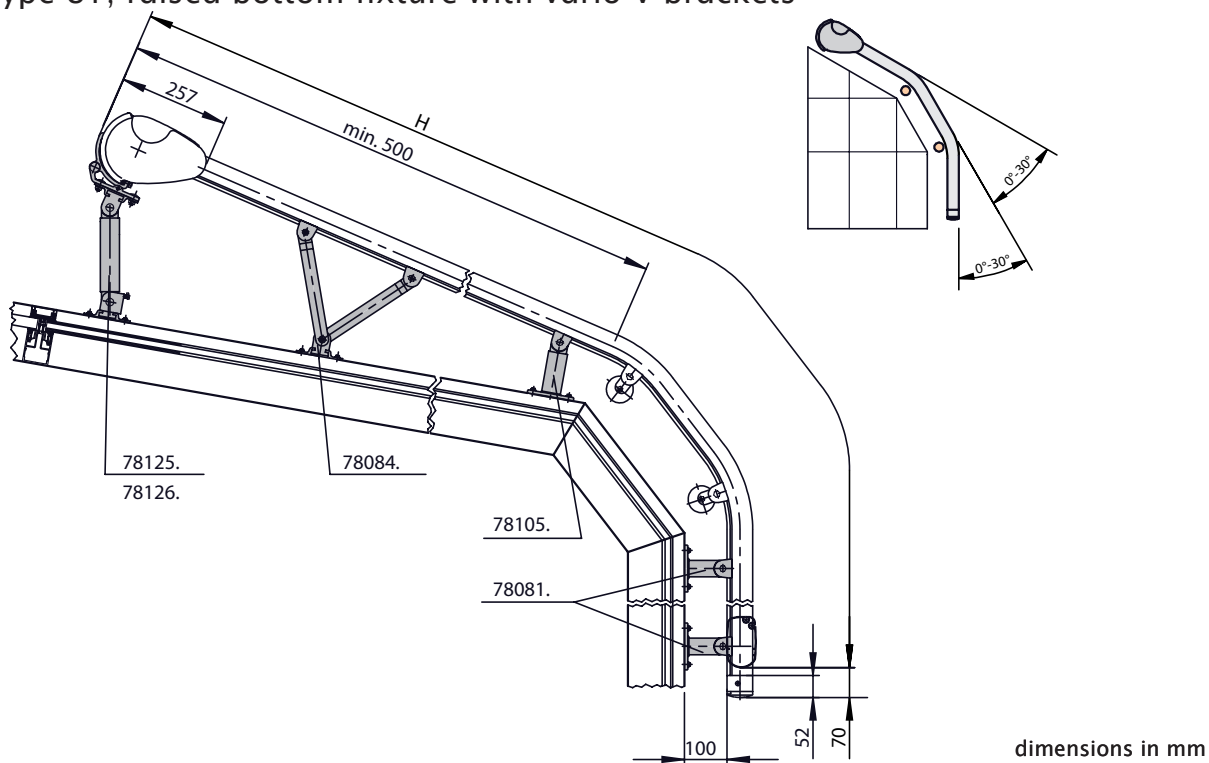


## Installation dimensions

fixture type 61, raised bottom cassette fixture



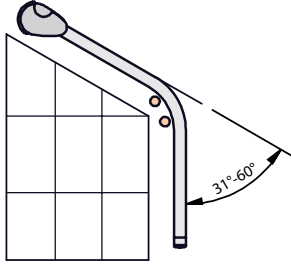
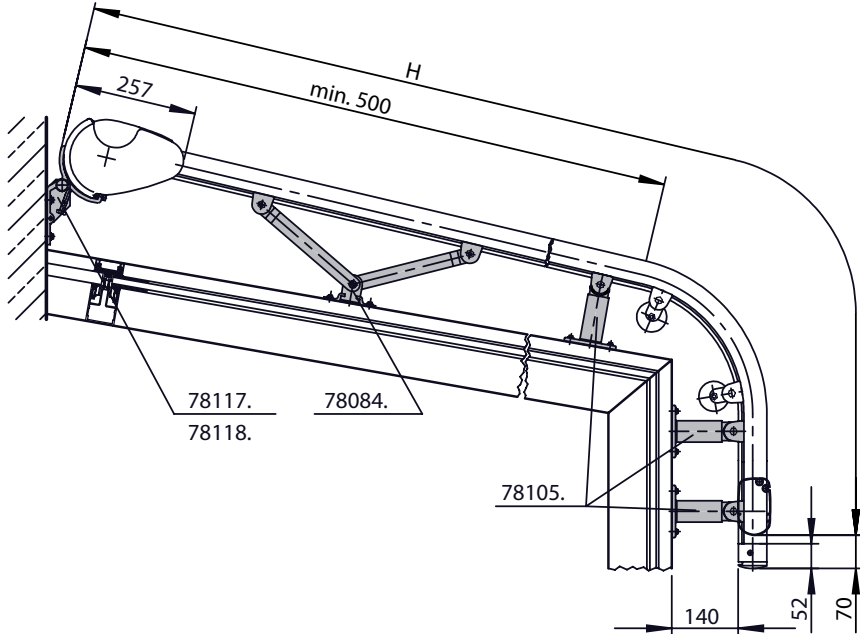
fixture type 81, raised bottom fixture with vario-V brackets



- H = extension
- e = N.B.! Take note of the window dimensions etc.!
- 78125 = raised cassette bracket, left
- 78126 = raised cassette bracket, right
- 78083 = track bracket with adjustable head and foot
- 78081 = track bracket with adjustable head
- 78084 = vario-V bracket
- 78085 = flat bracket for lateral track fixture

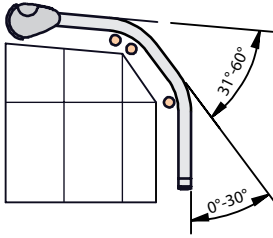
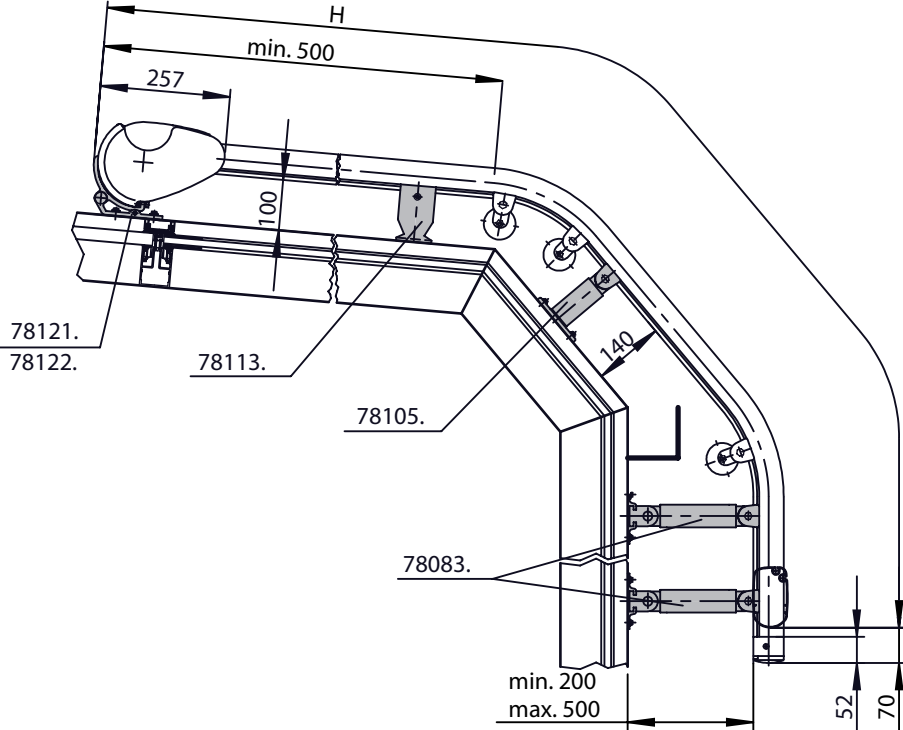
# Installation dimensions

## fixture type 51, face fixture



dimensions in mm

## combined fixture type, bottom fixture



dimensions in mm

- H = extension
- 78117 = face fixture cassette bracket, left
- 78118 = face fixture cassette bracket, right
- 78084 = vario-V bracket for single track
- 78105 = track bracket with adjustable head
- 78121 = bottom fixture cassette bracket, left
- 78122 = bottom fixture cassette bracket, right
- 78113 = track bracket, rigid
- 78083 = track bracket with adjustable head and foot

markilux Collection

Specification

markilux 780 / 880

markilux 8000

**markilux 8000** with curved front

markilux RS 8000

markilux 8500

markilux 889

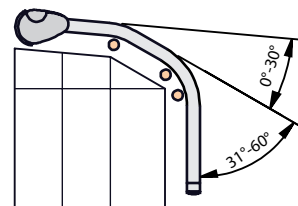
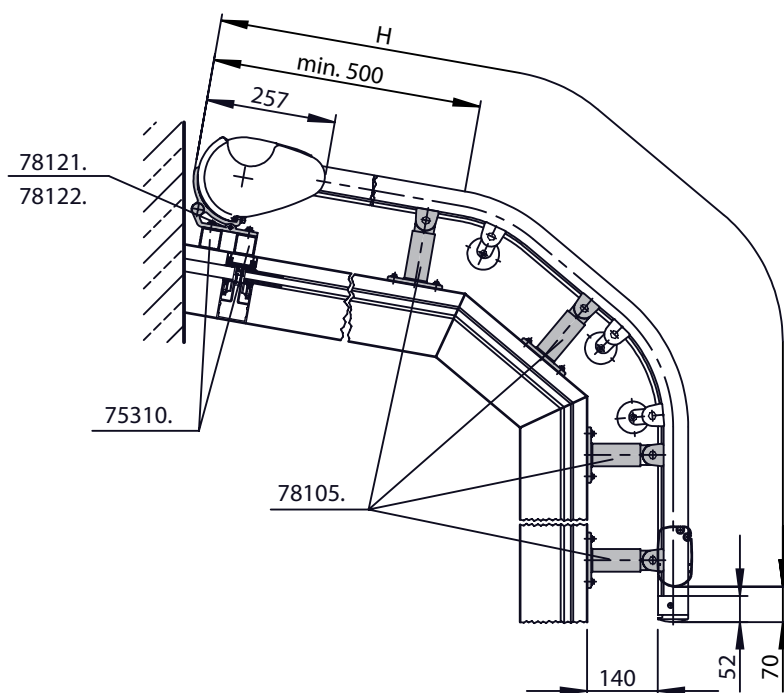
markilux Roof Festoon

Optional Accessories

Technical Information

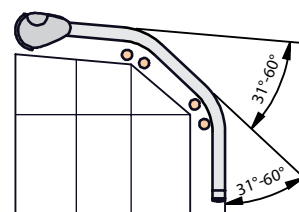
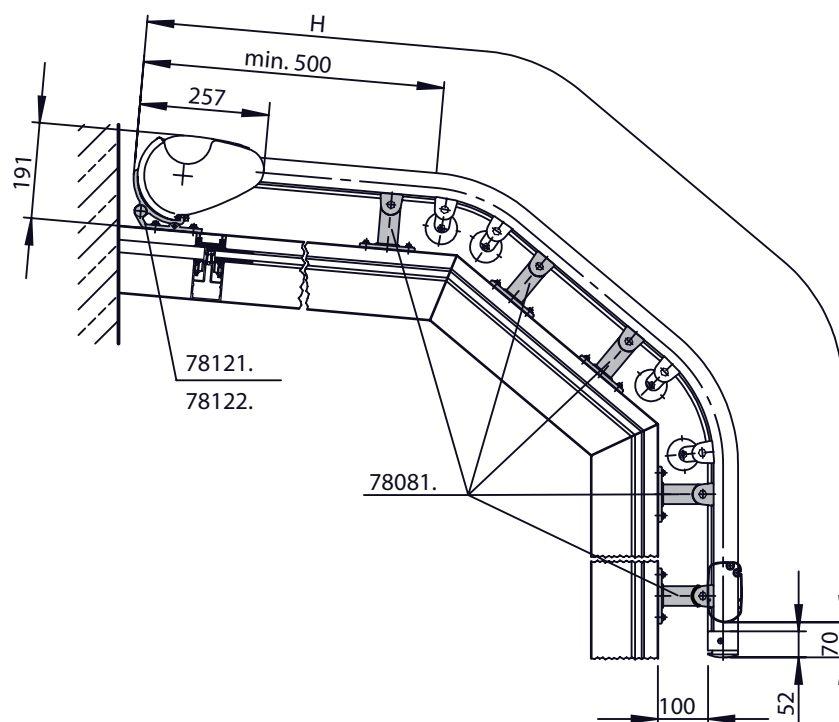
## Installation dimensions

Fixture combination 91, bottom fixture to torque bars



dimensions in mm

fixture type 11, bottom fixture

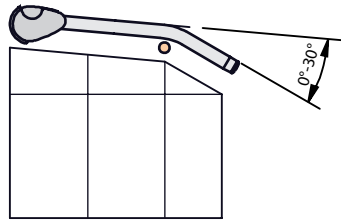
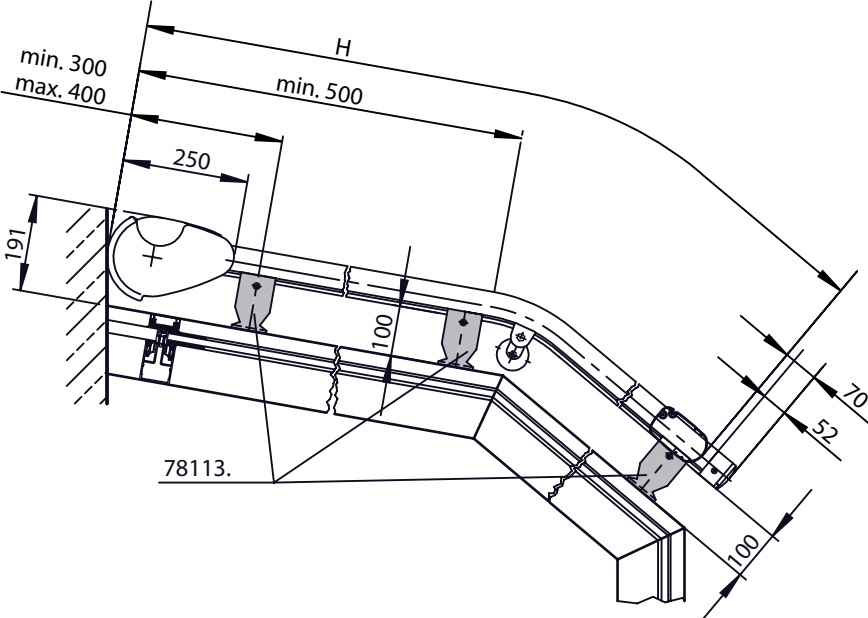


dimensions in mm

- H = extension
- 78121. = bottom fixture cassette bracket, left
- 78122. = bottom fixture cassette bracket, right
- 75310. = torque bar 40 x 40 x 2 mm
- 78105. = track bracket with adjustable head
- 78081. = track bracket with adjustable head

**Installation dimensions**

fixture type 31, track fixture possible up to a single field width of 4000 mm



markilux Collection

Specification

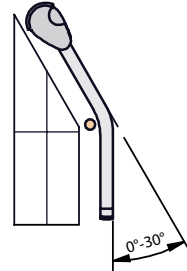
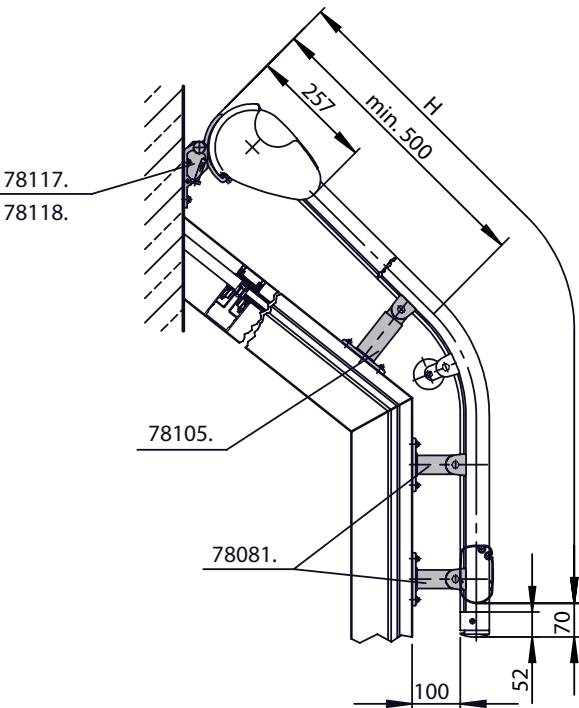
markilux 780 / 880

markilux 8000

**markilux 8000**  
with curved front

dimensions in mm

fixture type 12, face fixture



markilux RS 8000

markilux 8500

markilux 889

markilux Roof Festoon

dimensions in mm

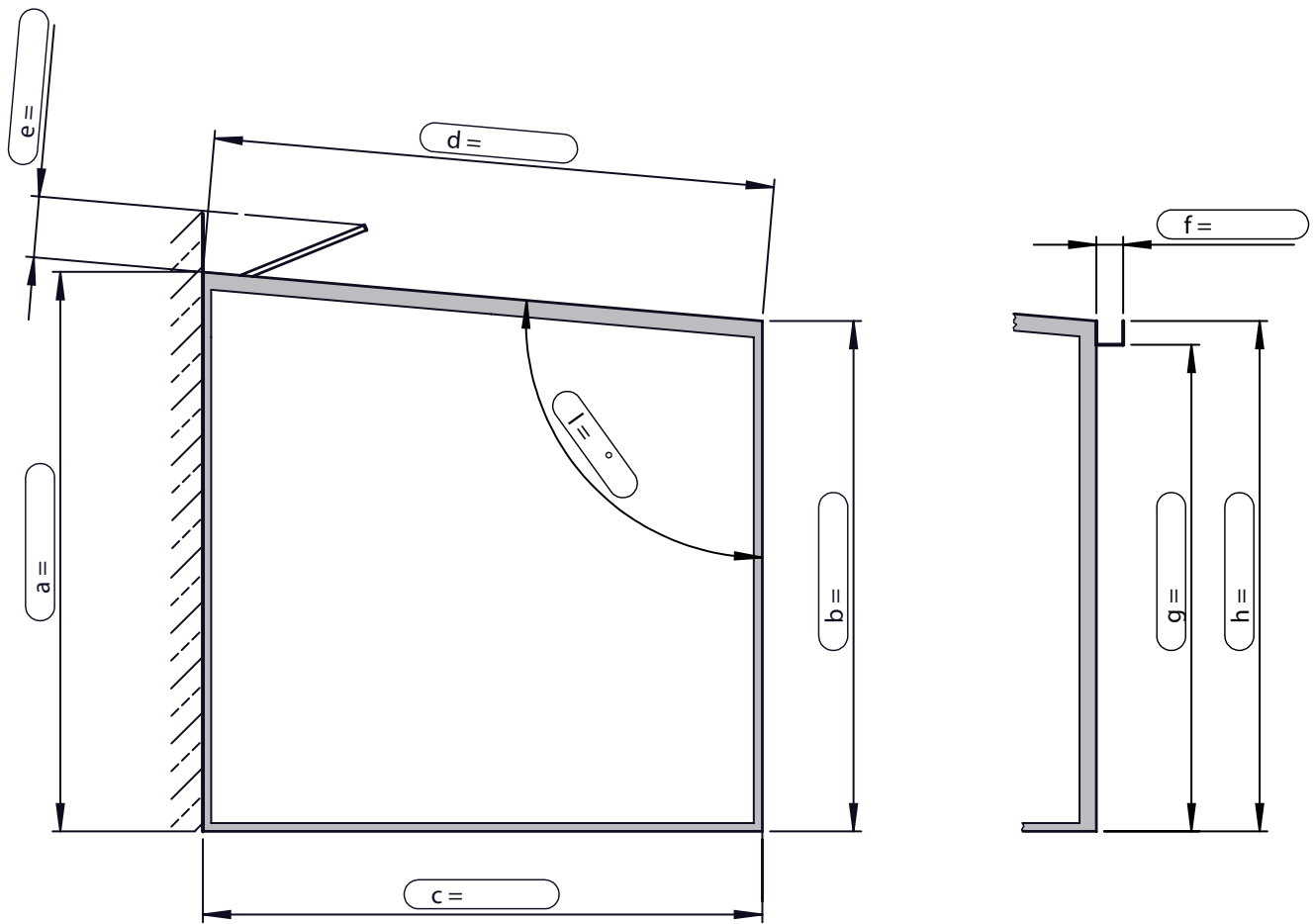
- H = extension
- 78113. = track bracket, rigid
- 78117. = face fixture cassette bracket, left
- 78118. = face fixture cassette bracket, right
- 78105. = track bracket with adjustable head
- 78081. = track bracket with adjustable head

Optional Accessories

Technical Information

## Dimension sheet for monopitch conservatory

Orders are to be submitted with all the conservatory dimensions shown in the diagram

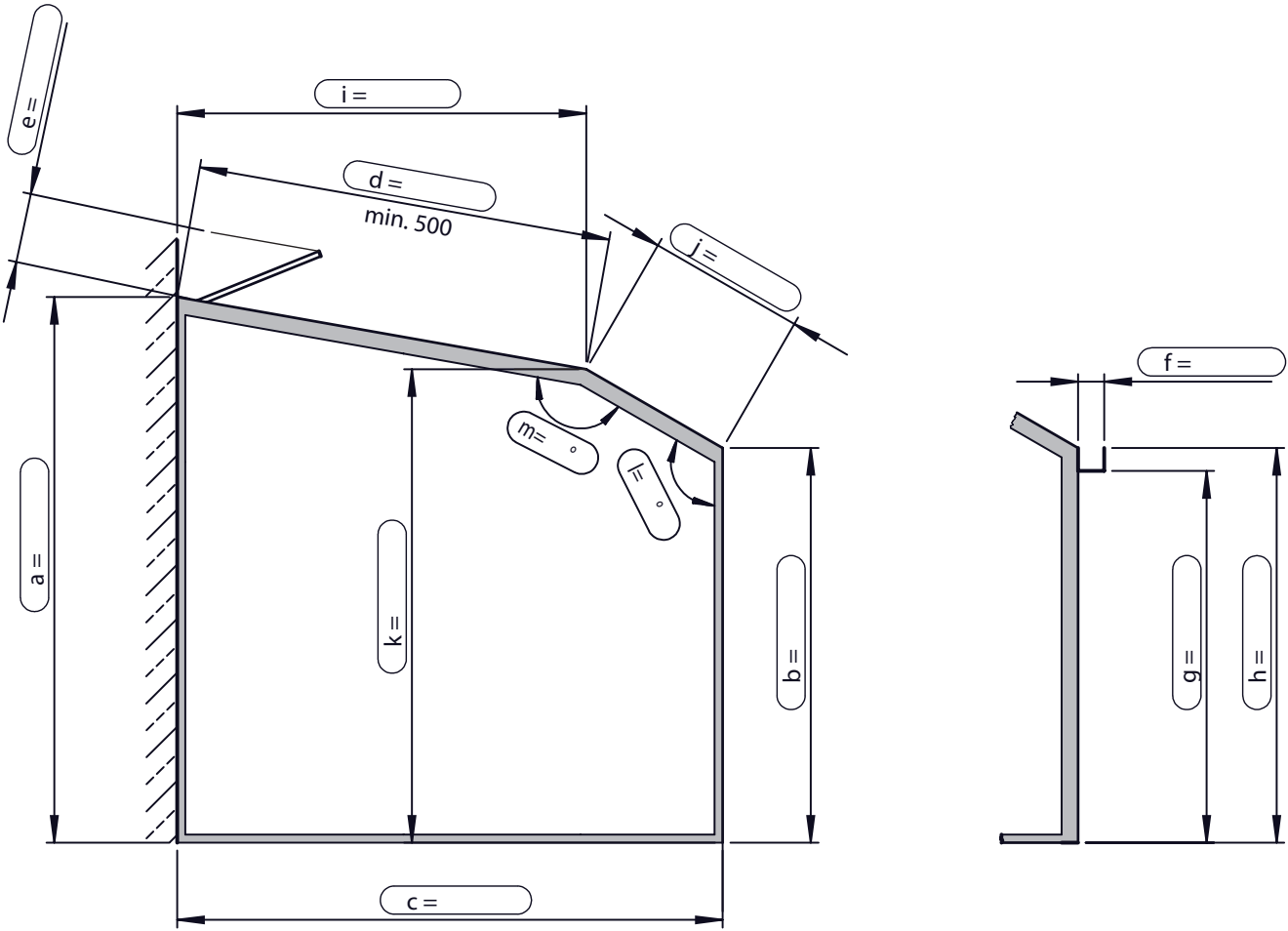


dimensions in mm

Orders will be released for production when all technical details have been clarified. A technical drawing will be sent to you which you must sign off before production can begin.

# Dimension sheet for conservatory with sun trap

Orders are to be submitted with all the conservatory dimensions shown in the diagram



dimensions in mm

Orders will be released for production when all technical details have been clarified. A technical drawing will be sent to you which you must sign off before production can begin.

