

safe - timeless - beautiful

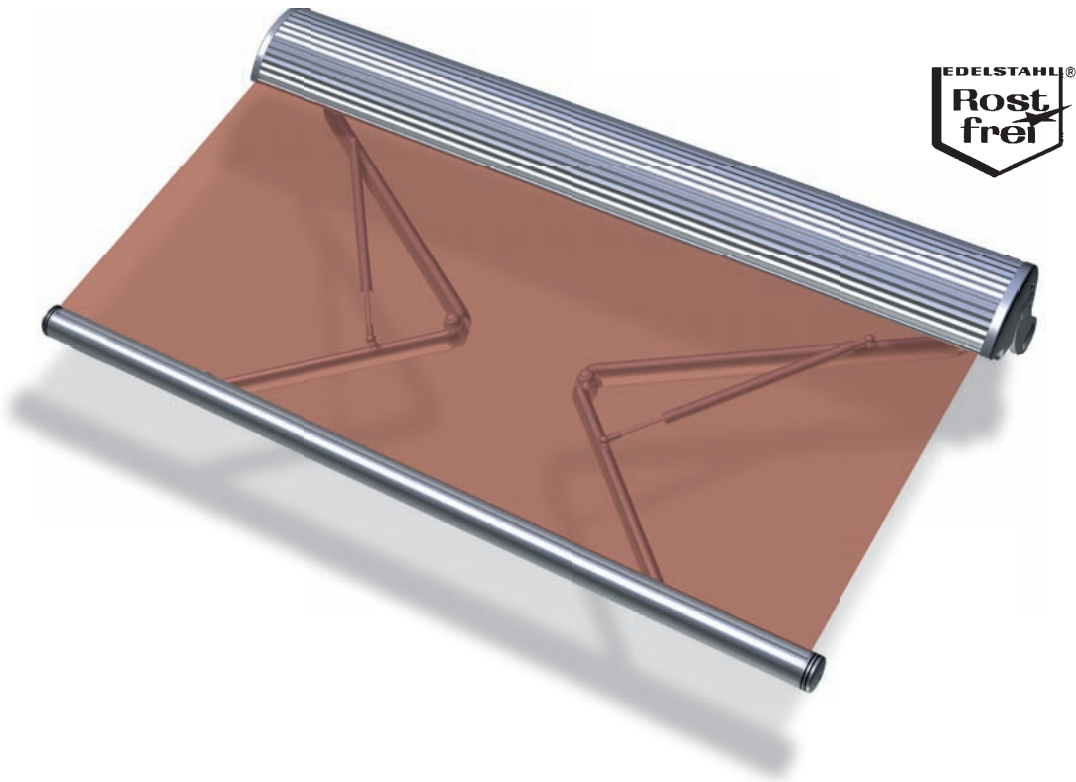


# markilux ES-1

The Ultimate in Aesthetics



# markilux



## markilux ES-1

### The Ultimate in Aesthetics

#### Design features

- worldwide the only awning made completely of matt-brushed, marine grade stainless steel
- when retracted the cover is protected from the weather by the cassette, which encloses it completely
- the harmony of design, material and function
- attractively shaped brackets; design down to the last detail
- the end caps made of solid brass or copper increase the uniqueness of this awning

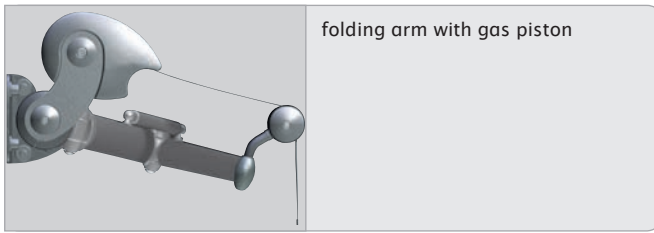
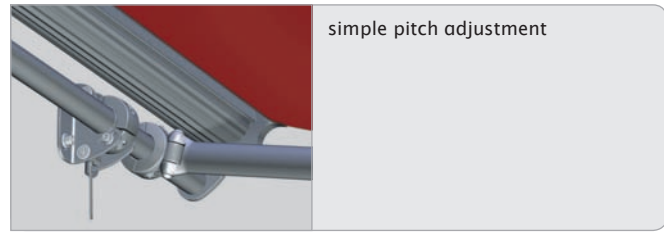
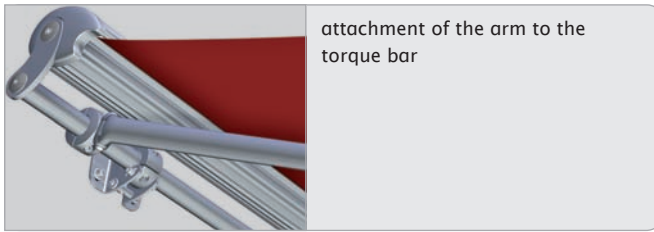
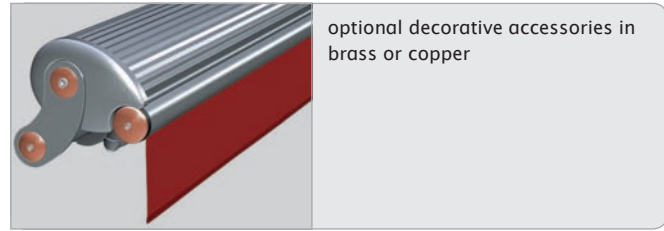
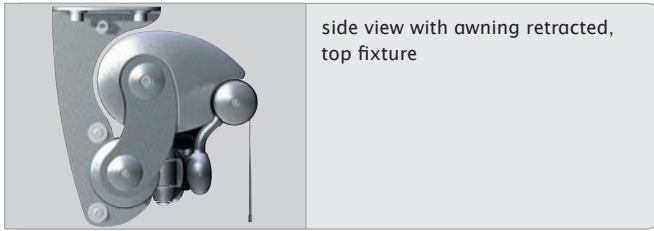
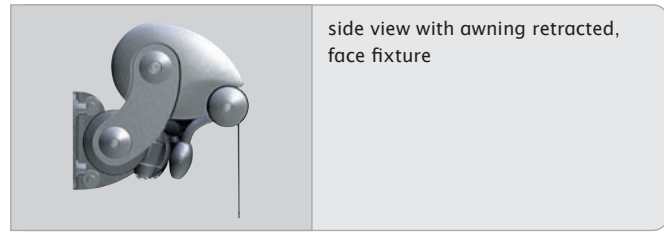
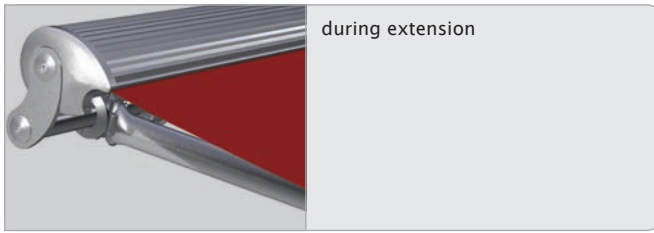
#### Technical highlights

- attractive ovoid folding arms with unique gas piston technology ensure a taut cover in every extended position
- front profile, torque bar (50 mm Ø) and roller tube (95 mm Ø) are extremely resistant to deflection and twist
- awning covers made of acrylic fabric or sunsilk snc with self-cleaning effect
- the 95 mm roller tube ensures the highest stiffness and the best possible cover winding characteristics even at the largest widths
- the joint components of the folding arms are made of high tensile strength, drop-forged stainless steel; the pivot bolts sit in Teflon-coated bronze bushes

#### Additional features

- an easily installed light and wind sensor provides intelligent control and essential protection

markilux ES-1



| Standard specification       |
|------------------------------|
| radio-controlled motor       |
| bonded awning cover          |
| sunsilk snc fabric           |
| sunsilk snc signature fabric |
| acrylic fabric 34            |
| widely woven acrylic fabric  |
| PVC fabric                   |

| Standard frame colours       |
|------------------------------|
| marine grade stainless steel |

| Optional accessories          |
|-------------------------------|
| light and wind sensor         |
| infra-red heater              |
| Vibrabox / Sunis light sensor |



## Dimensions and configuration options

| projection | awning width   |                |                |                |                |                              |                |                |                | minimum widths motor <sup>1)</sup> |
|------------|----------------|----------------|----------------|----------------|----------------|------------------------------|----------------|----------------|----------------|------------------------------------|
|            | 250<br>236-250 | 300<br>251-300 | 350<br>301-350 | 400<br>351-400 | 450<br>401-450 | 500 <sup>3)</sup><br>451-500 | 550<br>501-550 | 600<br>551-600 | 650<br>601-650 | standard arms                      |
| 200        | 2)             |                |                |                |                |                              |                |                |                | 236                                |
| 250        |                | 2)             |                |                |                |                              |                |                |                | 286                                |
| 300        |                |                | 2)             |                |                |                              |                |                |                | 336                                |
| 350        |                |                |                | 2)             |                |                              |                |                |                | 386                                |

- 1) The dimensions are only valid for fixture without spreader plates (2 folding arms).
- 2) Please note the minimum widths!
- 3) In the case of face and top fixture: 2 brackets + 1 coverboard support with bracket. In the case of eaves fixture: 3 eaves fixture brackets.

dimensions in cm

- = available, 2 folding arms, 2 brackets
- = available, 2 folding arms, 2 brackets, 1 rolltex bearing with bracket (always placed under a central seam)

### Operation

|  |    |
|--|----|
| manual operation with stainless steel winding handle | –  |
| servo-assisted operation                             | –  |
| hard-wired motor                                     | ○  |
| radio-controlled motor                               | ●* |

### Shadeplus / Drop valance

|                        |   |
|------------------------|---|
| manual operation       | – |
| radio-controlled motor | – |
| hard-wired motor       | – |

### Lighting

|                    |   |
|--------------------|---|
| halogen spotlights | – |
|--------------------|---|

### Covers

|  |                 |
|--|-----------------|
| sunsilk snc (fabric series 324xx/329xx)      | ●               |
| sunsilk snc signature (fabric series 369xx)  | ●               |
| acrylic 34 (fabric series 341xx-347xx)       | ●               |
| widely woven acrylic (fabric series 349xx)   | ● <sup>1)</sup> |
| sunsilk perla FR (fabric series 374xx/379xx) | ○               |
| transolair (fabric series 339xx)             | –               |
| Soltis 92                                    | –               |
| PVC fabric                                   | ● <sup>2)</sup> |

### Miscellaneous

|                               |                 |
|-------------------------------|-----------------|
| coverboard                    | –               |
| system coverboard             | –               |
| wall sealing profile          | –               |
| pitch adjustment gear         | –               |
| insertable side blind         | –               |
| light and wind sensor         | ○               |
| valance                       | ● <sup>3)</sup> |
| infra-red heater              | ○               |
| Vibrabox / Sunis light sensor | ○               |

### Coupled units

|                              |   |
|------------------------------|---|
| coupled unit, 2 fields       | – |
| coupled unit, 3 fields       | – |
| junction roller              | – |
| one-piece cover (on request) | – |

- = standard specification
- = optional accessories
- = not available
- \* = radio-controlled motor using 433 MHz technology
- <sup>1)</sup> = available up to a max. projection of 300 cm, not possible in those dimensions that require a rolltex bearing
- <sup>2)</sup> = up to a maximum projection of 250 cm, up to a maximum width of 600 cm
- <sup>3)</sup> = valance shape 1 (please refer to the section "Fabric Collection")

| Housing tolerances / Awning cover dimensions | Width    | Projection |
|--|----------|------------|
| housing tolerance                            | +0 / -20 |            |
| awning cover width = width less              | 110      |            |
| awning cover length = awning projection plus |          | 200        |

dimensions in mm

The width of the awning cover is always less than the width of the awning.

**Pitch adjustment range:** from 0° to 30° (to the horizontal).

**Definition of the projection:** Please consult the section "Technical Information".

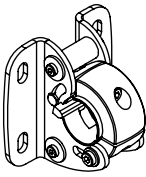
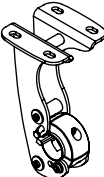

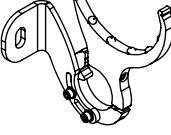
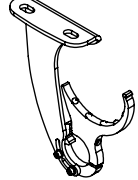
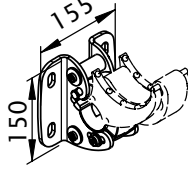
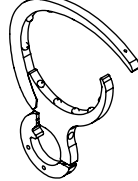
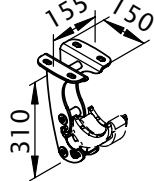
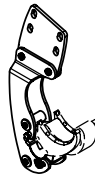
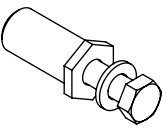
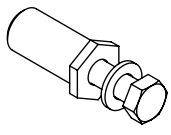
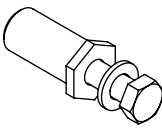
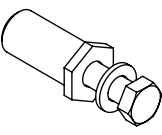
A motor-driven awning extends at approximately 12 seconds per metre.

Coupled folding-arm awnings are not available in this model.

### Frame colours

marine grade stainless steel

## Fixtures, fittings and installation accessories

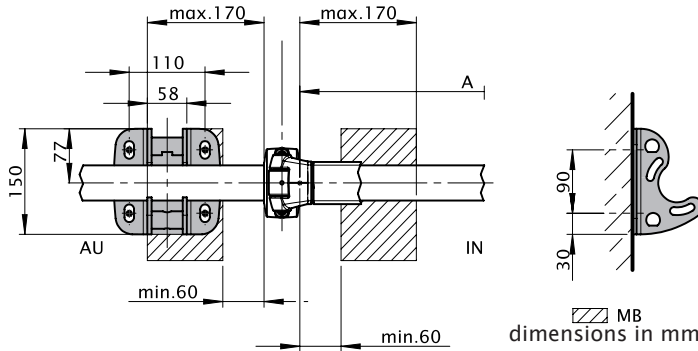
|  |   |   |
|--|---|---|
|  <p>Face fixture bracket assembly</p> <p>744341</p>   |  <p>Top fixture bracket assembly</p> <p>745791</p>   |  <p>Eaves fixture bracket assembly</p> <p>745851</p>   |
|  <p>Coverboard assembly support with wall bracket</p> <p>746331</p>   |  <p>Coverboard support assembly with top fixture bracket</p> <p>746341</p>   |  <p>Face fixture bracket assembly for rolltex bearing</p> <p>746761</p>  |
|  <p>Storm safety clip assembly<br/>(to be recommended in stormy/windy locations)</p> <p>725461</p>  |  <p>Top fixture bracket assembly for rolltex bearing</p> <p>746771</p>   |  <p>Eaves fixture bracket assembly for rolltex bearing</p> <p>746781</p>   |
|  <p>Reducing bolt assembly M 16 - M 12 / SW 27</p> <p>50 mm in length<br/>(please refer to the section "Technical Information")</p> <p>753891</p>  |  <p>Reducing bolt assembly M 16 - M 10 / SW 27</p> <p>50 mm in length<br/>(please refer to the section "Technical Information")</p> <p>754921</p> |  <p>Reducing bolt assembly M 12 - M 10 / SW 27</p> <p>50 mm in length<br/>(please refer to the section "Technical Information")</p> <p>754911</p> |
|  <p>Reducing bolt assembly M 10 - M 10 / SW 27</p> <p>50 mm in length<br/>(please refer to the section "Technical Information")</p> <p>754901</p> |   |   |

. = please insert the RAL No. (please refer to the section on "Coatings")

# Face fixture

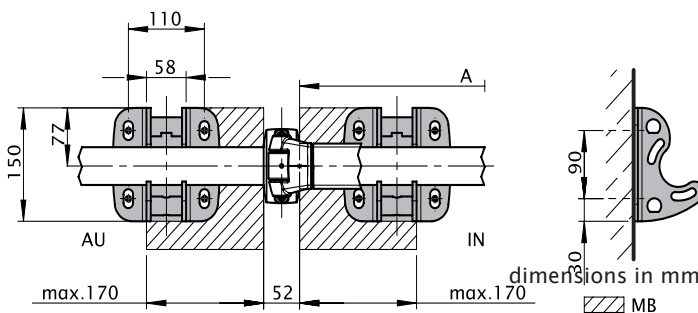
BM = no. of fixing points

## Fixture type A



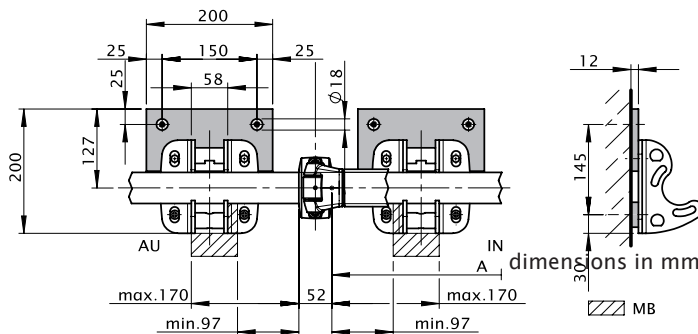
| P (A)  |  | BM     |     |     |     |     |     |     |     |     |
|--------|--|--------|-----|-----|-----|-----|-----|-----|-----|-----|
|        |  | M [cm] |     |     |     |     |     |     |     |     |
| H [cm] |  | 250    | 300 | 350 | 400 | 450 | 500 | 550 | 600 | 650 |
| 200    |  | 8      | 8   | 8   | 8   | 8   | 9   | 12  | 12  | 12  |
| 250    |  | ---    | 8   | 8   | 8   | 8   | 9   | 12  | 12  | 12  |
| 300    |  | ---    | --- | 8   | 8   | 8   | 9   | 12  | 12  | 12  |
| 350    |  | ---    | --- | --- | 8   | 8   | 9   | 12  | 12  | --- |

## Fixture type B



| P (B)  |  | BM     |     |     |     |     |     |     |     |     |
|--------|--|--------|-----|-----|-----|-----|-----|-----|-----|-----|
|        |  | M [cm] |     |     |     |     |     |     |     |     |
| H [cm] |  | 250    | 300 | 350 | 400 | 450 | 500 | 550 | 600 | 650 |
| 200    |  | 16     | 16  | 16  | 16  | 16  | 17  | 20  | 20  | 20  |
| 250    |  | ---    | 16  | 16  | 16  | 16  | 17  | 20  | 20  | 20  |
| 300    |  | ---    | --- | 16  | 16  | 16  | 17  | 20  | 20  | 20  |
| 350    |  | ---    | --- | --- | 16  | 16  | 17  | 20  | 20  | --- |

## Fixture type C



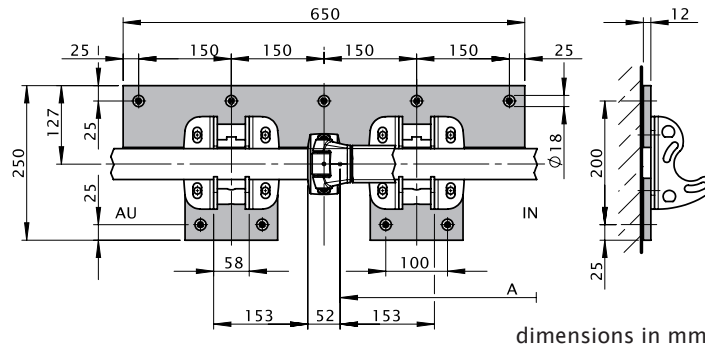
| P (C)  |  | BM     |     |     |     |     |     |     |     |     |
|--------|--|--------|-----|-----|-----|-----|-----|-----|-----|-----|
|        |  | M [cm] |     |     |     |     |     |     |     |     |
| H [cm] |  | 250    | 300 | 350 | 400 | 450 | 500 | 550 | 600 | 650 |
| 200    |  | 16     | 16  | 16  | 16  | 16  | 17  | 20  | 20  | 20  |
| 250    |  | ---    | 16  | 16  | 16  | 16  | 17  | 20  | 20  | 20  |
| 300    |  | ---    | --- | 16  | 16  | 16  | 17  | 20  | 20  | 20  |
| 350    |  | ---    | --- | --- | 16  | 16  | 17  | 20  | 20  | --- |

- P = fixture type
- H = projection
- BM = no. of fixing points
- M = overall awning width
- AU = exterior
- IN = interior
- MB = bracket fixture range
- A = arm position

## Face fixture

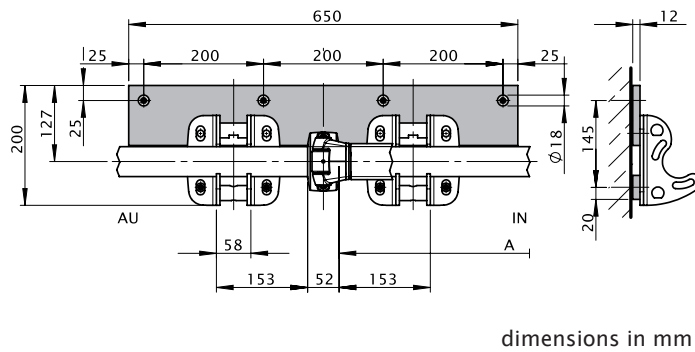
BM = no. of fixing points

### Fixture type D



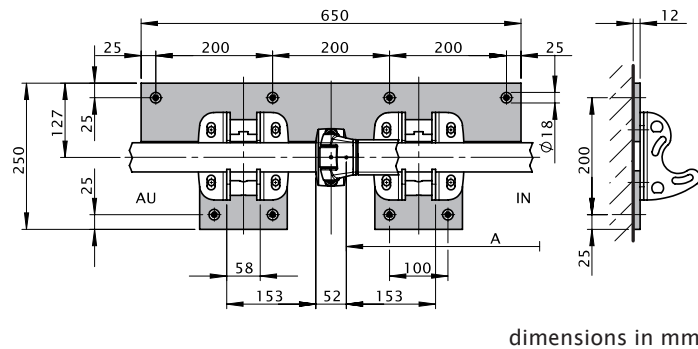
| P (D)  |  | BM     |     |     |     |     |     |     |     |     |
|--------|--|--------|-----|-----|-----|-----|-----|-----|-----|-----|
|        |  | M [cm] |     |     |     |     |     |     |     |     |
| H [cm] |  | 250    | 300 | 350 | 400 | 450 | 500 | 550 | 600 | 650 |
| 200    |  | 18     | 18  | 18  | 18  | 18  | 19  | 22  | 22  | 22  |
| 250    |  | ---    | 18  | 18  | 18  | 18  | 19  | 22  | 22  | 22  |
| 300    |  | ---    | --- | 18  | 18  | 18  | 19  | 22  | 22  | 22  |
| 350    |  | ---    | --- | --- | 18  | 18  | 19  | 22  | 22  | --- |

### Fixture type E



| P (E)  |  | BM     |     |     |     |     |     |     |     |     |
|--------|--|--------|-----|-----|-----|-----|-----|-----|-----|-----|
|        |  | M [cm] |     |     |     |     |     |     |     |     |
| H [cm] |  | 250    | 300 | 350 | 400 | 450 | 500 | 550 | 600 | 650 |
| 200    |  | 16     | 16  | 16  | 16  | 16  | 17  | 20  | 20  | 20  |
| 250    |  | ---    | 16  | 16  | 16  | 16  | 17  | 20  | 20  | 20  |
| 300    |  | ---    | --- | 16  | 16  | 16  | 17  | 20  | 20  | 20  |
| 350    |  | ---    | --- | --- | 16  | 16  | 17  | 20  | 20  | --- |

### Fixture type F



| P (F)  |  | BM     |     |     |     |     |     |     |     |     |
|--------|--|--------|-----|-----|-----|-----|-----|-----|-----|-----|
|        |  | M [cm] |     |     |     |     |     |     |     |     |
| H [cm] |  | 250    | 300 | 350 | 400 | 450 | 500 | 550 | 600 | 650 |
| 200    |  | 16     | 16  | 16  | 16  | 16  | 17  | 20  | 20  | 20  |
| 250    |  | ---    | 16  | 16  | 16  | 16  | 17  | 20  | 20  | 20  |
| 300    |  | ---    | --- | 16  | 16  | 16  | 17  | 20  | 20  | 20  |
| 350    |  | ---    | --- | --- | 16  | 16  | 17  | 20  | 20  | --- |

- P = fixture type
- H = projection
- BM = no. of fixing points
- M = overall awning width
- AU = exterior
- IN = interior
- MB = bracket fixture range
- A = arm position

## Face fixture

### Pull-out forces and fixture types

#### Concrete C 20/25 (previously B 25)

| H [cm] | M [cm] |        |     |        |     |        |     |        |     |        |     |        |     |        |     |        |     |        |
|--------|--------|--------|-----|--------|-----|--------|-----|--------|-----|--------|-----|--------|-----|--------|-----|--------|-----|--------|
|        | 250    |        | 300 |        | 350 |        | 400 |        | 450 |        | 500 |        | 550 |        | 600 |        | 650 |        |
|        | P      | FB [N] | P   | FB [N] | P   | FB [N] | P   | FB [N] | P   | FB [N] | P   | FB [N] | P   | FB [N] | P   | FB [N] | P   | FB [N] |
| 200 cm | A      | 1085   | A   | 1220   | A   | 1355   | A   | 1490   | A   | 1625   | A   | 1765   | A   | 1900   | A   | 2035   | A   | 2170   |
| 250 cm | ---    |        | A   | 1730   | A   | 1925   | A   | 2115   | A   | 2310   | A   | 2505   | A   | 2700   | A   | 2895   | A   | 3440   |
| 300 cm | ---    |        | --- |        | A   | 2560   | A   | 2825   | A   | 3085   | A   | 3350   | A   | 4035   | A   | 4335   | A   | 4640   |
| 350 cm | ---    |        | --- |        | --- |        | A   | 3670   | A   | 4010   | A   | 4875   | A   | 5265   | A   | 5660   | --- |        |

#### Clay brick (Mz 12) / solid lime sand brick (KS 12)

| H [cm] | M [cm] |        |     |        |     |        |     |        |     |        |     |        |     |        |     |        |     |        |
|--------|--------|--------|-----|--------|-----|--------|-----|--------|-----|--------|-----|--------|-----|--------|-----|--------|-----|--------|
|        | 250    |        | 300 |        | 350 |        | 400 |        | 450 |        | 500 |        | 550 |        | 600 |        | 650 |        |
|        | P      | FB [N] | P   | FB [N] | P   | FB [N] | P   | FB [N] | P   | FB [N] | P   | FB [N] | P   | FB [N] | P   | FB [N] | P   | FB [N] |
| 200 cm | A      | 1085   | A   | 1220   | B   | 675    | B   | 745    | B   | 815    | B   | 880    | B   | 950    | B   | 1015   | B   | 1085   |
| 250 cm | ---    |        | B   | 865    | B   | 960    | B   | 1060   | B   | 1155   | C   | 865    | C   | 930    | C   | 1000   | C   | 1185   |
| 300 cm | ---    |        | --- |        | C   | 885    | C   | 975    | C   | 1065   | C   | 1155   | D   | 1155   | D   | 845    | D   | 905    |
| 350 cm | ---    |        | --- |        | --- |        | D   | 715    | D   | 780    | D   | 950    | D   | 950    | D   | 1105   | --- |        |

#### Perforated brick (Hz 12) / perforated lime sand brick (KS L 12)

| H [cm] | M [cm] |        |     |        |     |        |     |        |     |        |     |        |     |        |     |        |     |        |
|--------|--------|--------|-----|--------|-----|--------|-----|--------|-----|--------|-----|--------|-----|--------|-----|--------|-----|--------|
|        | 250    |        | 300 |        | 350 |        | 400 |        | 450 |        | 500 |        | 550 |        | 600 |        | 650 |        |
|        | P      | FB [N] | P   | FB [N] | P   | FB [N] | P   | FB [N] | P   | FB [N] | P   | FB [N] | P   | FB [N] | P   | FB [N] | P   | FB [N] |
| 200 cm | B      | 540    | B   | 610    | B   | 675    | B   | 745    | B   | 815    | B   | 880    | B   | 950    | C   | 700    | C   | 750    |
| 250 cm | ---    |        | B   | 865    | B   | 960    | C   | 730    | C   | 795    | C   | 865    | C   | 930    | C   | 1000   | D   | 670    |
| 300 cm | ---    |        | --- |        | C   | 885    | C   | 975    | D   | 600    | D   | 655    | D   | 785    | D   | 845    | D   | 905    |
| 350 cm | ---    |        | --- |        | --- |        | D   | 715    | D   | 780    | D   | 950    | D   | 1000   | --- | 1100   | --- |        |

#### Aerated concrete (PB2)

| H [cm] | M [cm] |        |     |        |     |        |     |        |     |        |     |        |     |        |     |        |     |        |
|--------|--------|--------|-----|--------|-----|--------|-----|--------|-----|--------|-----|--------|-----|--------|-----|--------|-----|--------|
|        | 250    |        | 300 |        | 350 |        | 400 |        | 450 |        | 500 |        | 550 |        | 600 |        | 650 |        |
|        | P      | FB [N] | P   | FB [N] | P   | FB [N] | P   | FB [N] | P   | FB [N] | P   | FB [N] | P   | FB [N] | P   | FB [N] | P   | FB [N] |
| 200 cm | A      | 1085   | A   | 1220   | B   | 675    | B   | 745    | B   | 815    | B   | 880    | B   | 950    | B   | 1015   | B   | 1085   |
| 250 cm | ---    |        | B   | 865    | B   | 960    | B   | 1060   | B   | 1155   | B   | 1255   | E   | 930    | E   | 1000   | E   | 1085   |
| 300 cm | ---    |        | --- |        | B   | 1280   | E   | 975    | E   | 1065   | E   | 1155   | F   | 985    | F   | 1060   | F   | 1130   |
| 350 cm | ---    |        | --- |        | --- |        | E   | 1265   | F   | 980    | F   | 1190   | F   | 1285   | --- | 1380   | --- |        |

M = overall awning width  
H = projection  
FB = pull-out force per fixing point  
P = fixture type

## Top fixture

Pull-out forces for concrete C 20/25 (previously B 25)

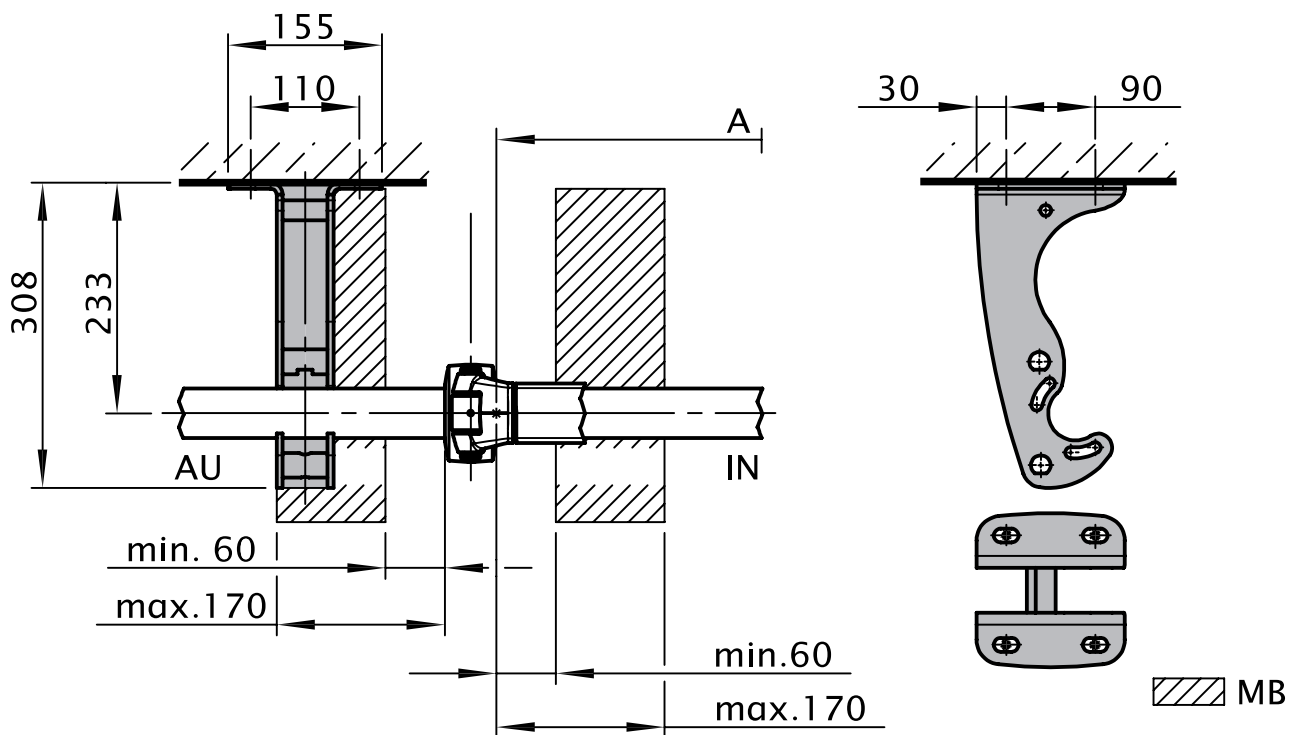
| H [cm] | M [cm] |        |     |        |     |        |     |        |     |        |     |        |     |        |     |        |     |        |
|--------|--------|--------|-----|--------|-----|--------|-----|--------|-----|--------|-----|--------|-----|--------|-----|--------|-----|--------|
|        | 250    |        | 300 |        | 350 |        | 400 |        | 450 |        | 500 |        | 550 |        | 600 |        | 650 |        |
|        | P      | FB [N] | P   | FB [N] | P   | FB [N] | P   | FB [N] | P   | FB [N] | P   | FB [N] | P   | FB [N] | P   | FB [N] | P   | FB [N] |
| 200 cm | A      | 1145   | A   | 1295   | A   | 1440   | A   | 1590   | A   | 1740   | A   | 1890   | A   | 2035   | A   | 2185   | A   | 2335   |
| 250 cm | ---    | ---    | A   | 1805   | A   | 2010   | A   | 2215   | A   | 2425   | A   | 2630   | A   | 2840   | A   | 3045   | A   | 3600   |
| 300 cm | ---    | ---    | --- | ---    | A   | 2650   | A   | 2925   | A   | 3200   | A   | 3475   | A   | 4170   | A   | 4485   | A   | 4800   |
| 350 cm | ---    | ---    | --- | ---    | --- | ---    | A   | 3770   | A   | 4120   | A   | 5000   | A   | 5405   | A   | 5810   | --- | ---    |

BM = no. of fixing points

| P (A)  |        |     |     |     |     |     |     |     |     |     |
|--------|--------|-----|-----|-----|-----|-----|-----|-----|-----|-----|
| BM     |        |     |     |     |     |     |     |     |     |     |
| H [cm] | M [cm] |     |     |     |     |     |     |     |     |     |
|        | 250    | 300 | 350 | 400 | 450 | 500 | 550 | 600 | 650 |     |
| 200    | 8      | 8   | 8   | 8   | 8   | 10  | 12  | 12  | 12  | 12  |
| 250    | ---    | 8   | 8   | 8   | 8   | 10  | 12  | 12  | 12  | 12  |
| 300    | ---    | --- | 8   | 8   | 8   | 10  | 12  | 12  | 12  | 12  |
| 350    | ---    | --- | --- | 8   | 8   | 10  | 12  | 12  | 12  | --- |

- M = overall awning width
- AU = outside the arm
- IN = inside the arm
- MB = bracket fixture range
- P = fixture type
- BM = no. of fixing points
- A = arm position

Fixture type A



dimensions in mm

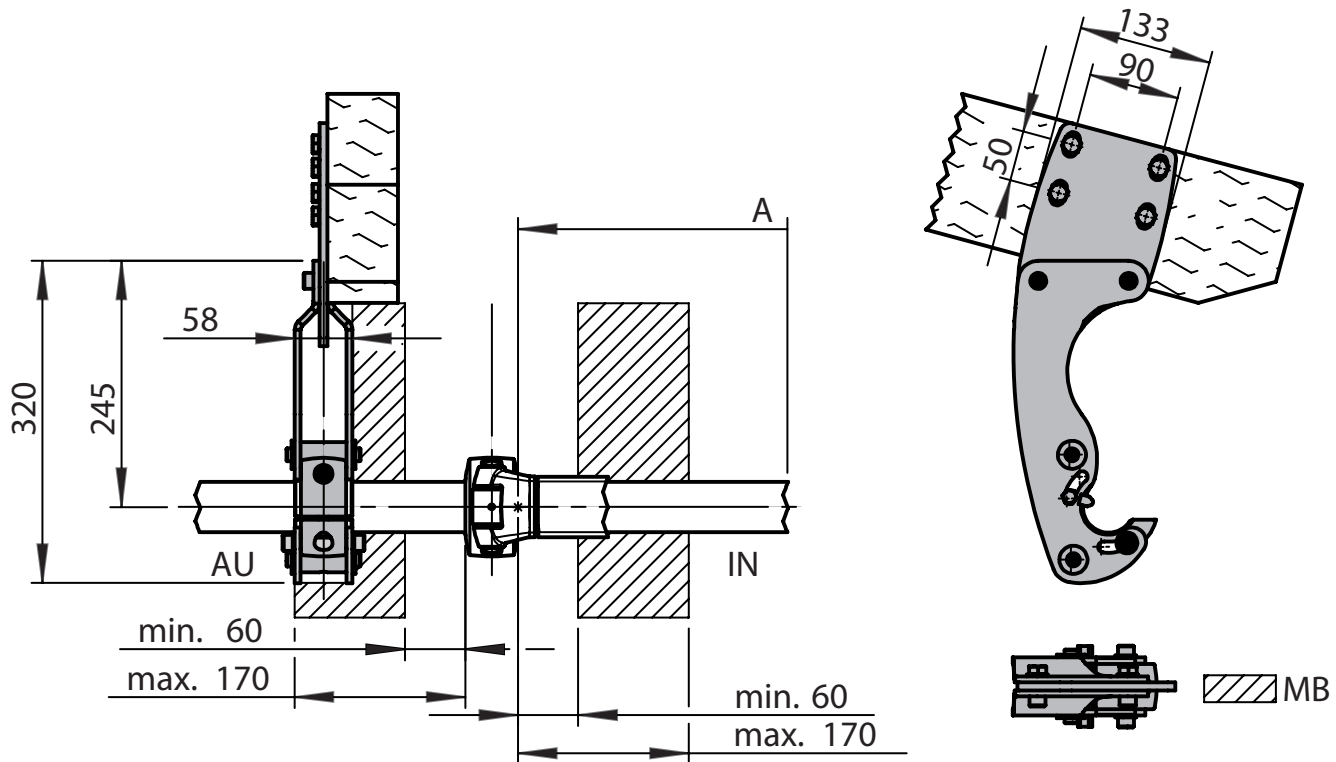
## Eaves fixture

Torque [Nm = Newton metres] for the fixture bracket next to the arm, shear force [N = Newton] per fixing point according to EN 13561, wind resistance class 2

| H [cm] | Torque  |     |     |     |     |     |      |      |     |      | Shear force |      |      |      |       |       |       |       |  |  |
|--------|---------|-----|-----|-----|-----|-----|------|------|-----|------|-------------|------|------|------|-------|-------|-------|-------|--|--|
|        | M [cm]  |     |     |     |     |     |      |      |     |      | M [cm]      |      |      |      |       |       |       |       |  |  |
|        | 250     | 300 | 350 | 400 | 450 | 500 | 550  | 600  | 650 | 250  | 300         | 350  | 400  | 450  | 500   | 550   | 600   | 650   |  |  |
| 200    | Md [Nm] |     |     |     |     |     |      |      |     |      | FS [N]      |      |      |      |       |       |       |       |  |  |
| 200    | 217     | 244 | 271 | 298 | 325 | 353 | 380  | 407  | 434 | 2531 | 2858        | 3186 | 3513 | 3840 | 4167  | 4495  | 4822  | 5149  |  |  |
| 250    | ---     | 346 | 385 | 423 | 462 | 501 | 540  | 579  | 688 | ---  | 3992        | 4449 | 4906 | 5362 | 5819  | 6275  | 6732  | 7965  |  |  |
| 300    | ---     | --- | 512 | 565 | 617 | 670 | 807  | 867  | 928 | ---  | ---         | 5868 | 6475 | 7083 | 7690  | 9241  | 9936  | 10631 |  |  |
| 350    | ---     | --- | --- | 734 | 802 | 975 | 1053 | 1132 | --- | ---  | ---         | ---  | 8354 | 9134 | 11080 | 11979 | 12878 | ---   |  |  |
| HT     | 2       |     |     |     |     | 3   |      |      |     |      | 2           |      |      |      |       | 3     |       |       |  |  |
| BM     | 8       |     |     |     |     | 12  |      |      |     |      | 8           |      |      |      |       | 12    |       |       |  |  |

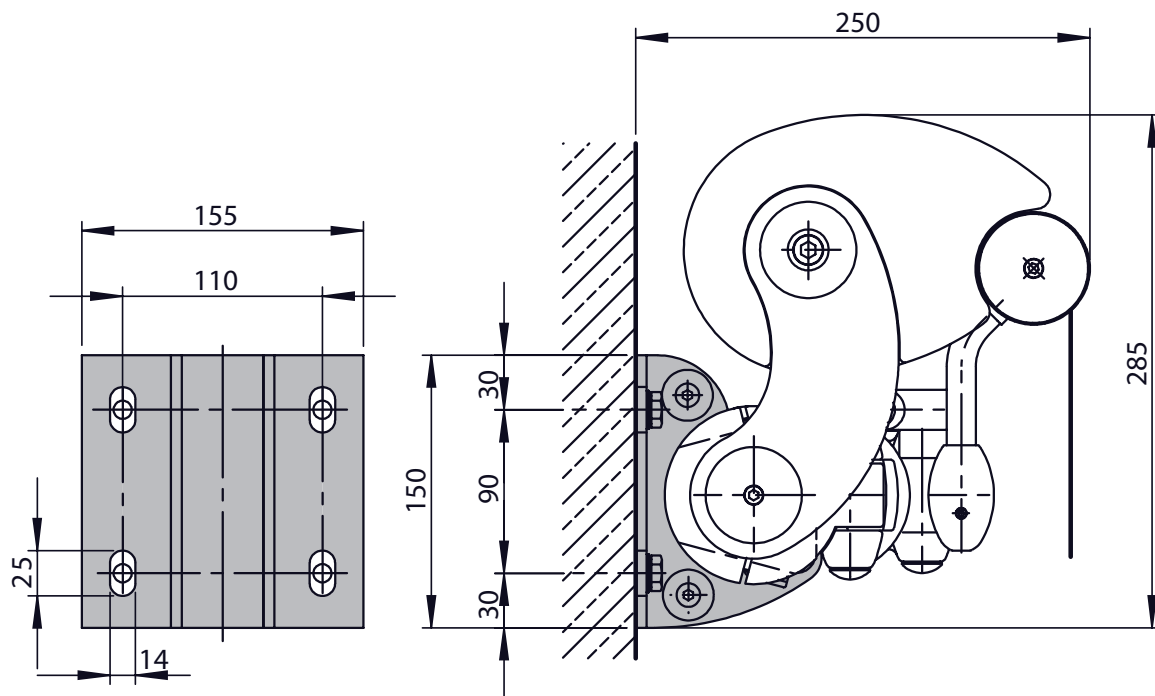
The shear force is calculated on the basis of 2 fixing points per bracket, because - depending on the roof pitch - it cannot be guaranteed that 4 fixing points per bracket can be used.

- A = arm position
- AU = outside the arm
- IN = inside the arm
- MB = bracket fixture range
- P = fixture type
- BM = no. of fixing points
- M = overall awning width
- Md = torque value for the bracket next to the arm
- FS = shear force



dimensions in mm

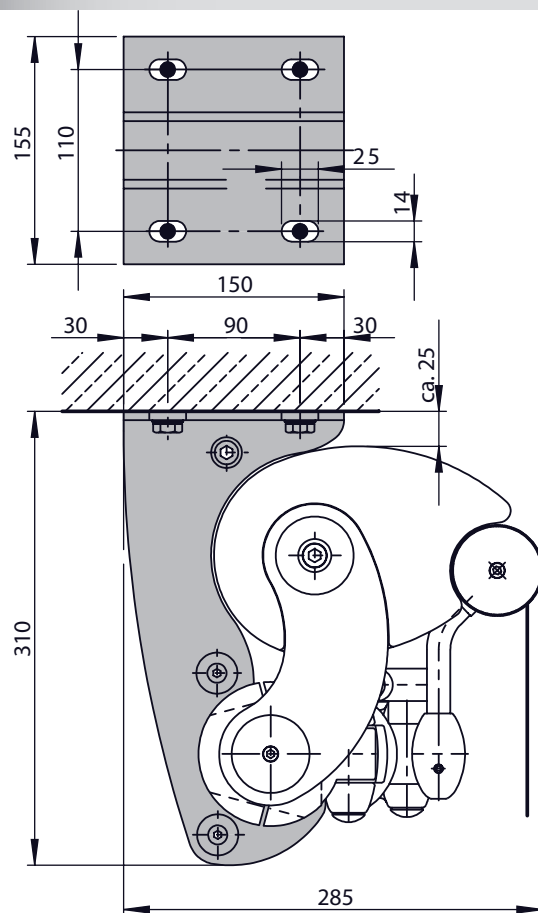
Face fixture



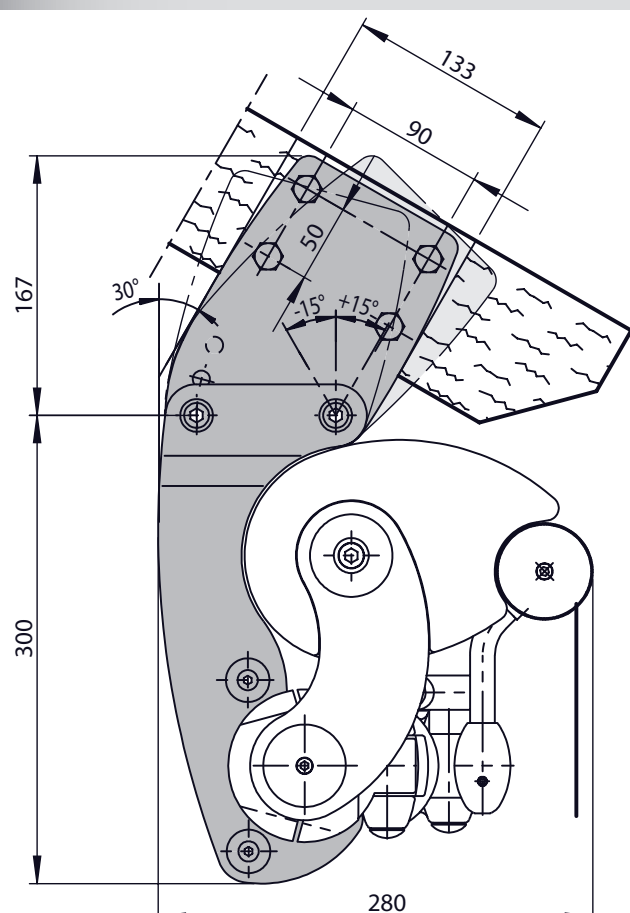
dimensions in mm

Top fixture

Eaves fixture

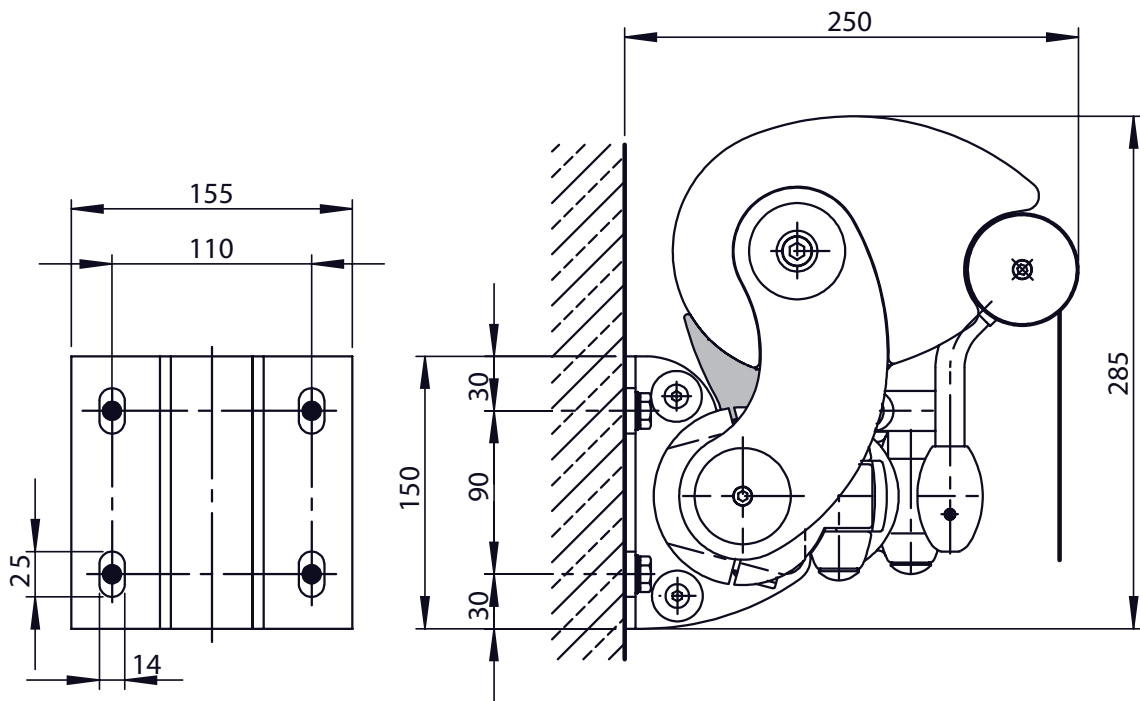


dimensions in mm



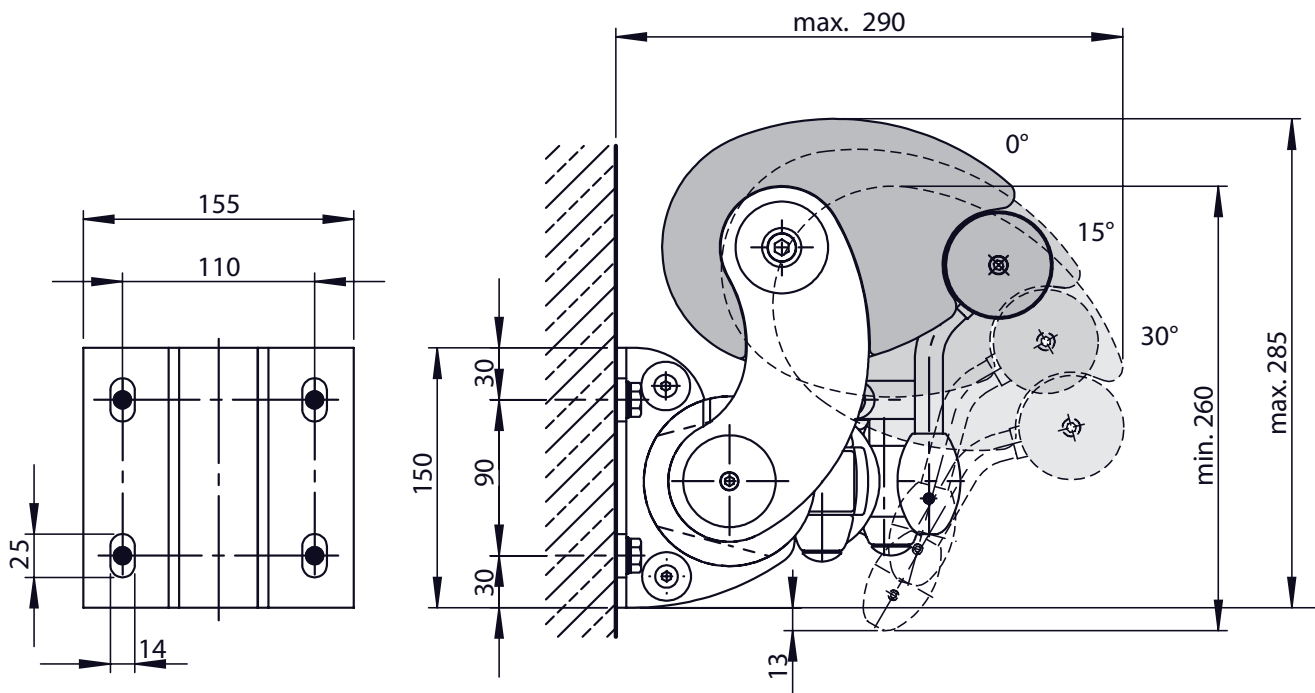
dimensions in mm

Face fixture with coverboard clip



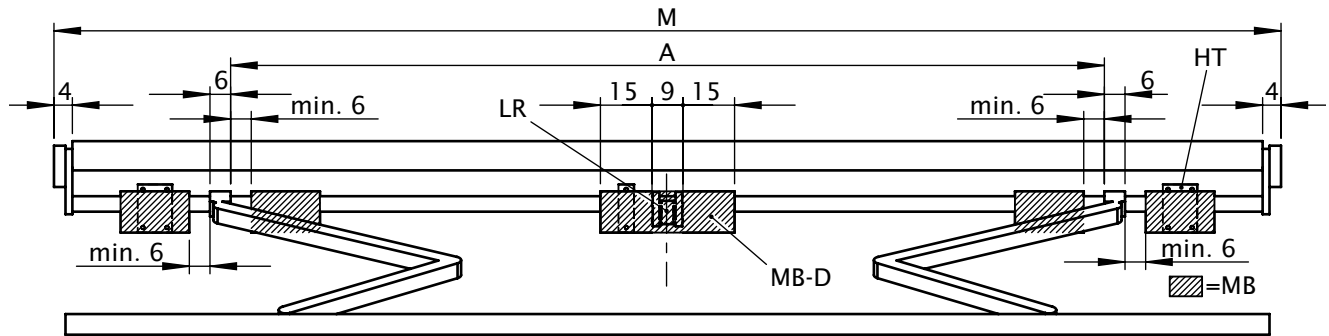
dimensions in mm

Dimensions at different awning pitches



dimensions in mm

## Bracket range for awnings with 2 folding arms



dimensions in cm

| M [cm] | SB<br>ZB | 250<br>236-250 | 300<br>251-300 | 350<br>301-350 | 400<br>351-400 | 450<br>401-450 | 500<br>451-500 | 550<br>501-550 | 600<br>551-600 | 650<br>601-650 |  |
|--------|----------|----------------|----------------|----------------|----------------|----------------|----------------|----------------|----------------|----------------|--|
| H [cm] | A [cm]   |                |                |                |                |                |                |                |                |                |  |
|        | 200      | 214 ▲          | 229            | 262            | 292            | 332            | 372            | 407            | 442            | 472            |  |
|        | 250      | ---            | 264 ▲          | 279            | 292            | 332            | 372            | 407            | 442            | 472            |  |
|        | 300      | ---            | ---            | 314 ▲          | 329            | 332            | 372            | 407            | 442            | 472            |  |
|        | 350      | ---            | ---            | ---            | 364 ▲          | 379            | 387            | 407            | 442            | ---            |  |
| W      | HT   BHT | 155 mm         | 2              |                |                |                | 2              | 3              |                |                |  |
|        |          | + DS           | ---            |                |                |                | 1              | ---            |                |                |  |
| DE     | HT   BHT | 155 mm         | 2              |                |                |                | 2              | 3              |                |                |  |
|        |          | + DS           | ---            |                |                |                | 1              | ---            |                |                |  |
| DA     | HT       | 2              |                |                |                | 3              | 3              |                |                |                |  |

dimensions in cm

▲ = please note the minimum widths! In the case of small awnings the brackets can only be fitted inside the arms, i.e. the position denoted by measurement A.

- M = overall awning width
- H = projection
- A = arm position
- HT = bracket
- HT | BHT = bracket quantity | width
- MB = bracket fixture range
- W = face fixture
- DA = eaves fixture
- DE = top fixture
- DS = coverboard support with bracket
- SB = standard width
- ZB = intermediate width
- MB-D = range within which the coverboard support clip should be fitted (depends on the awning size)
- LR = rolltex bearing with bracket is always placed under a central seam (depends on the awning size)

If the brackets cannot be positioned in accordance with this table, make sure the actual measurements are noted on the order form!