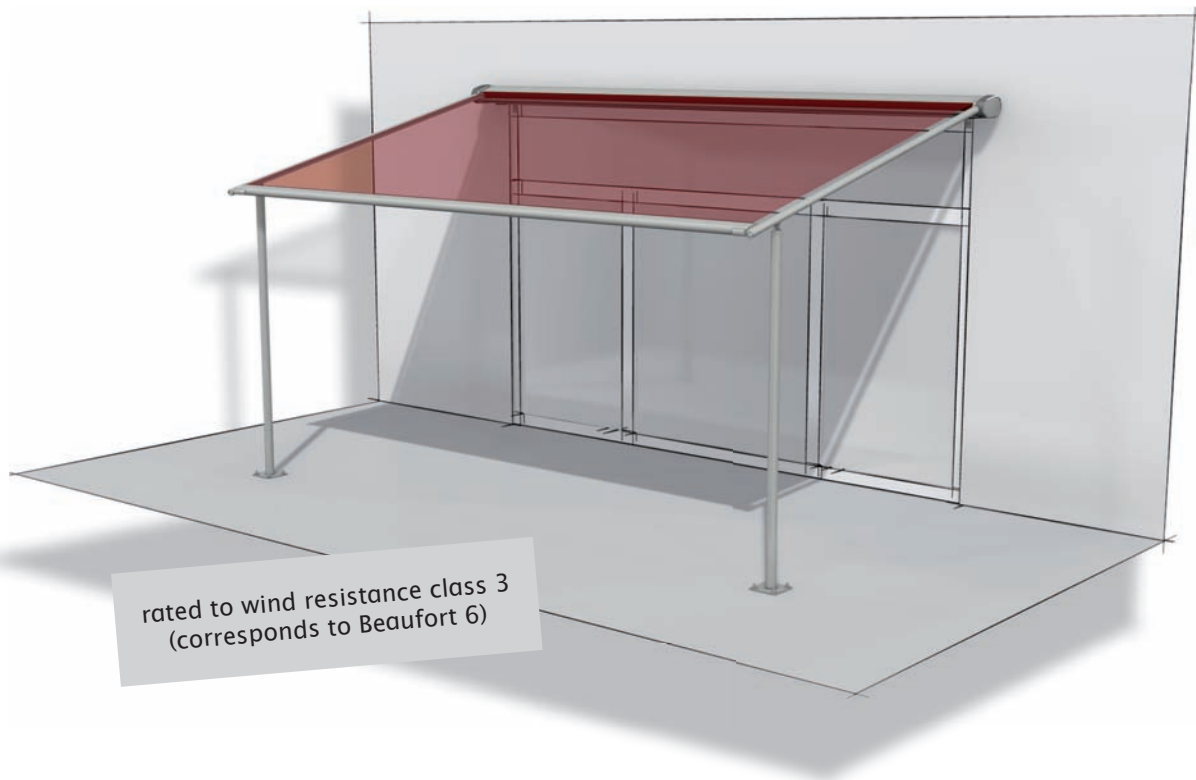




markilux pergola 100

Large-scale solar protection for patios - the proven technology of the markilux 8000 conservatory awning with slender support posts

markilux



markilux pergola 100

Large-scale sun protection for patios - the proven technology of the markilux 8000 conservatory awning with slender support posts

Design features

- the cassette profile, the guide tracks, the front profile and the front support posts complement one another perfectly and result in a large but nevertheless very elegant patio shading system
- an elegant awning system resting on slender posts with unobtrusive lateral guide tracks
- the ability to combine different cassette colours with the end cap trim and insert finishes (Lounge style line look of the markilux 6000) make it possible to personalise the markilux pergola for your own patio
- powder coated in the standard colours traffic white, metallic aluminium or grey brown

Technical highlights

- especially large extensions provide generous shade with high wind stability (wind resistance class 3)
- simple installation: fixture of the cassette to the wall and the posts to a concrete base by means of base plates. The front support posts are made of aluminium, standard height 250 cm, other heights (36 cm to 250 cm) on request
- the round, front support posts further stabilise the awning in addition to the fixture points on the façade - this reduces the pull-out forces on the façade.
- water drainage is guaranteed at a minimum pitch of 14° to the horizontal, the maximum possible pitch is 45°

Additional features

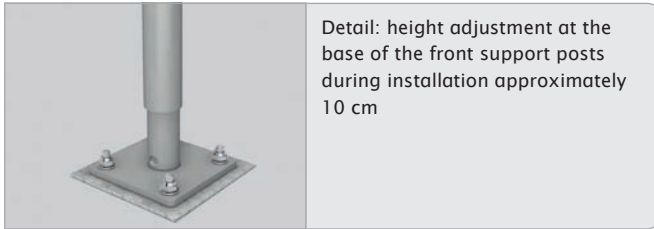
- polyester powder coating in the colours of the Lounge style line and all other RAL colours is available to individual order (prices on request, longer lead time)
- radio-controlled motor with markilux remote control - ergonomically shaped
- wall sealing profile to cover the gap between awning and wall; effective up to an awning pitch of 25°
- colour matching of the cassette end cap trim and end cap insert is possible (Lounge style line)
- awning covers made of waterproof sunsilk, markilux perla FR, are available at a surcharge



Single unit



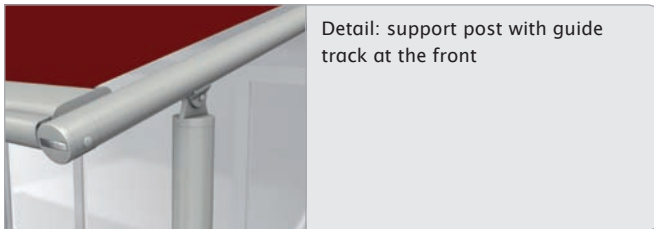
Detail: end cheek with guide track



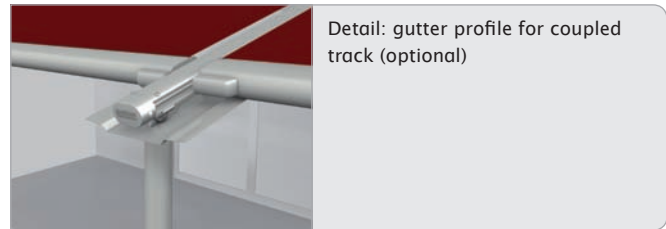
Detail: height adjustment at the base of the front support posts during installation approximately 10 cm



coupled unit (2 or 3 fields) is available



Detail: support post with guide track at the front



Detail: gutter profile for coupled track (optional)

Standard specification
hard-wired motor
bonded awning cover
sunsilk snc fabric
sunsilk snc signature fabric
acrylic fabric 34
perfortex fabric
transolair fabric

Standard frame colours
traffic white - RAL 9016
metallic aluminium - RAL 9006
grey brown - similar to RAL 8019

Optional accessories
RTS motor with remote control
light and wind sensor
wall sealing profile
non-standard powder-coated finish

markilux pergola 100

markilux pergola 200

markilux syncra fix / syncra uno fix with folding-arm awnings

markilux syncra fix / syncra uno fix with pergola 100 / 200

markilux syncra flex 2 / syncra uno flex 2 with folding-arm awnings

markilux RS 8000

markilux 790

Optional Accessories

Technical Information

Lounge style line

off-white textured finish



stone grey metallic



anthracite metallic



Frame colours

off-white textured finish - 5233

stone grey metallic - 5215

anthracite metallic - 5204

End cap trim colours

off-white textured finish - 5233

stone grey metallic - 5215

anthracite metallic - 5204

polished chrome

black chrome

End cap insert colours

off-white textured finish - 5233

stone grey metallic - 5215

anthracite metallic - 5204


wood effect

stainless steel mesh

Dimensions and configuration options

single unit, 1 field, 1 motor

		awning fixture width / order width							minimum fixture width		
		150	200	250	300	350	400	450	500 ¹⁾	standard	with Soltis
		74 - 150	151 - 200	201 - 250	251 - 300	301 - 350	351 - 400	401 - 450	451 - 500		
overall width		+16									
extension	150									74	112
	200									79	
	250										
	300										
	350									112	
	400										
	450										
	500									149	
	550										
600											
										122	

 = available

1) from a field width of 451 cm, an additional central housing support is required (3 face fixture brackets).

dimensions in cm

Type of shading	
exterior	●
interior	-
Operation	
hard-wired motor	●
radio-controlled motor	○*
manual operation with stainless steel winding handle	-
cord pulley system	-
operating rod	-
Covers	
sun silk snc (fabric series 324xx/329xx)	●
sun silk snc signature (fabric series 369xx)	●
acrylic 34 (fabric series 341xx-347xx)	●
widely woven acrylic (fabric series 349xx)	-
sun silk perla FR (fabric series 374xx/379xx)	○
perfortex (fabric series 333xx)	●
transolair (fabric series 339xx)	●
Trevira CS	-
Soltis 92	○
PVC fabric	-
Miscellaneous	
wall sealing profile	○ ¹
frame system markilux RS 8000	-
cover profiles for gap between tracks and cover	-
light and wind sensor	○
Coupled units (please refer to the section on awning installation)	
coupled unit, 2 fields	○
coupled unit, 3 fields	○
gutter profile for coupling track	○ ¹

- = standard specification
- = optional accessories
- = not available
- * = radio-controlled motor using 433 MHz technology
- ¹ = effective up to a maximum awning pitch of 25°

Housing tolerances / Awning cover dimensions	Width	Extension
housing tolerance	+5 / -10	
awning cover width = fixture width less	90	
awning cover length = awning extension less / plus		on request

dimensions in mm

The width of the awning cover is always **less** than the width of the awning.

Pitch adjustment range: from 5° to 45° (to the horizontal).

Water drainage can only be guaranteed at a minimum awning pitch of 14° to the horizontal. If the markilux pergola is to be used as rain protection and the pitch is less than 14°, we recommend the markilux pergola 200 to be used.

Definition of fixture width/order width: The fixture width is the measurement centre to centre from guide track to guide track. The overall width of the cassette is 160 mm greater than the fixture width of the awning. The fixture width tolerance is + 0 mm / - 20 mm.

Definition of the extension / order size: The nominal extension is measured with the awning extended from the back of the cassette to the leading edge of the front profile (the tracks will extend 70 mm past this point). The tolerance in the extension is + 40 / - 40 mm.

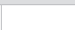






Definition of operating side: The operating side is always given as if seen from the outside (right or left).

N.B! In the case of **continuous motor usage**, the motor may stop after 3 to 4 minutes to prevent overheating.

N.B.! In contrast to standard motors, radio-controlled motors have no safety cut-out mechanism if the front profile is obstructed. If this function is required in combination with radio-controlled operation, order the hard-wired motor with an external radio receiver and an appropriate transmitter.

N.B.! In the case of a bank of awnings operating simultaneously, the same speed of rotation of the motors cannot be guaranteed because of the internal tolerances of the motors.

The **extension time** of single units with a hard-wired motor is approximately 11 seconds per metre.

Frame colours		
traffic white - RAL 9016		●
metallic aluminium - RAL 9006		●
grey brown - similar to RAL 8019		●
anthracite metallic - 5204 (Lounge)		○
nano stone grey metallic - 5215 (Lounge)		○
off-white textured finish - 5233 (Lounge)		○
non-standard powder-coated finish		○

* Colours similar to the RAL chart - these may differ slightly from those depicted in both hue and finish.

Dimensions

coupled unit, 2 fields, 1 or 2 motors

		fixture / order width											
		450	500	550	600	650	700	750	800	850	900	950	1000
		401-450	451-500	501-550	551-600	601-650	651-700	701-750	751-800	801-850	851-900	901-950	951-1000
overall width		+ 16											
extension	150												
	200												
	250												
	300												
	350												
	400												
	450												
	500												
	550												
600													

from a field width of 451 cm, an additional central cassette bracket is required (3 brackets per field)

dimensions in cm
 = available

coupled unit, 3 fields, 2 motors

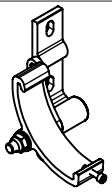
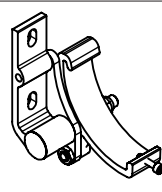
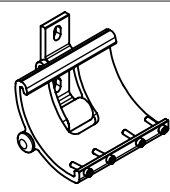
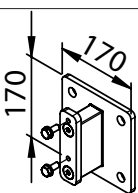
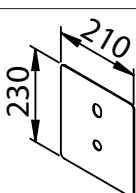
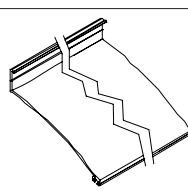
		fixture / order width																		
		600	650	700	750	800	850	900	950	1000	1050	1100	1150	1200	1250	1300	1350	1400	1450	1500
		551-600	601-650	651-700	701-750	751-800	801-850	851-900	901-950	951-1000	1001-1050	1051-1100	1101-1150	1151-1200	1201-1250	1251-1300	1301-1350	1351-1400	1451-1450	1451-1500
overall width		+ 16																		
extension	150																			
	200																			
	250																			
	300																			
	350																			
	400																			
	450																			
	500																			
	550																			
600																				

from a field width of 451 cm, an additional central cassette bracket is required (3 brackets per field)

dimensions in cm

= available

Fixtures, fittings and accessories

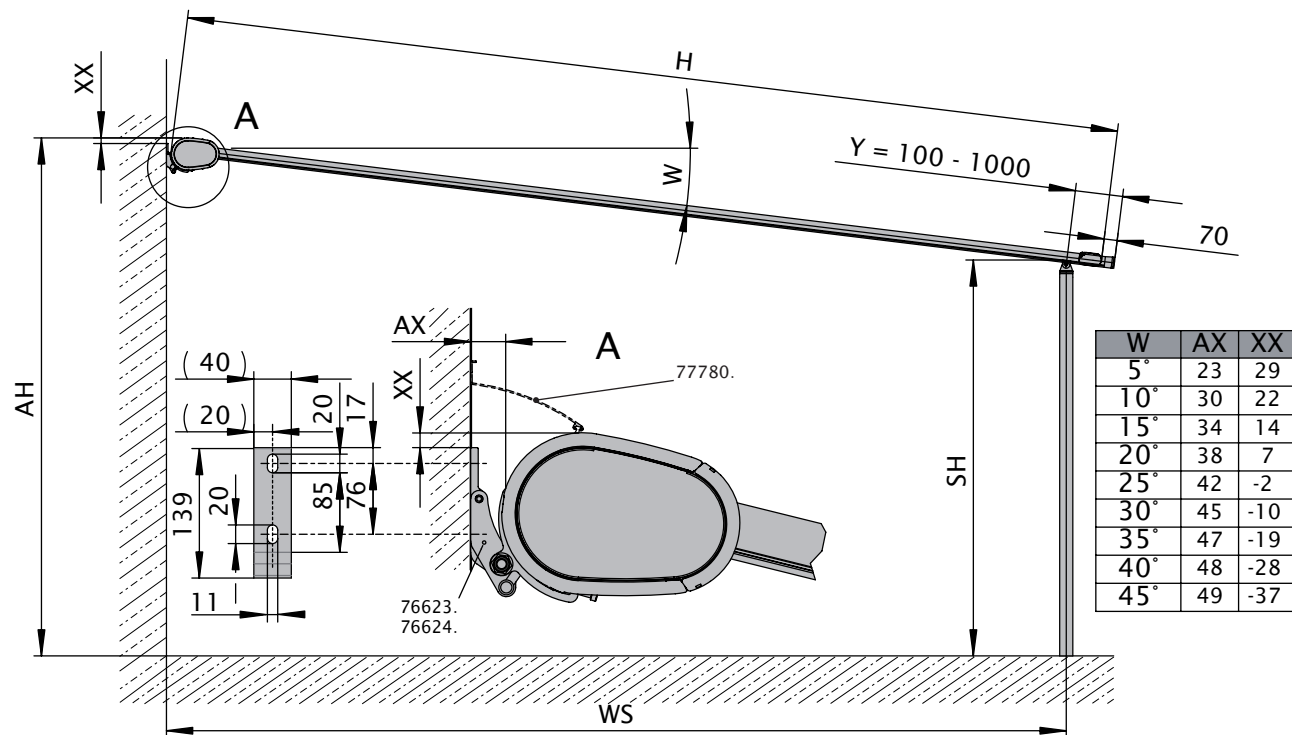
 <p>76623.</p>	<p>Face fixture cassette bracket assembly, left</p> <p>bracket 139 x 40 mm</p> <p>pitch adjustment possible from 5° to 45°</p>	 <p>76624.</p>	<p>Face fixture cassette bracket assembly, right</p> <p>bracket 139 x 40 mm</p> <p>5 - 45° pitch adjustment range</p>	 <p>76622.</p>	<p>Cassette coupling bracket assembly</p> <p>bracket 139 x 40 mm</p> <p>5 - 45° pitch adjustment range</p>
 <p>77956.</p>	<p>Spacer plates for 76622., 76623. and 76624.</p> <p>for bracket 139 x 40 mm</p> <p>length min 80 mm, max. 300 mm</p>	 <p>71844.</p>	<p>Cover plate for installation with spacer plate 77956. in the case of external insulation</p> <p>210 x 230 mm</p>	 <p>77780.</p>	<p>Wall sealing profile</p> <p>available by the metre</p> <p>fixture example: see face fixture with wall sealing profile</p>

Installation dimensions

Water drainage can only be guaranteed at a minimum awning pitch of 14° to the horizontal.

In contrast to the markilux 100, one of the front support posts of the markilux 200 can be lowered. This is an advantage especially when the installation height is restricted and ensures water drainage at a minimum pitch of at least 7°. By lowering the height of one support post by 30 cm water drainage can be ensured in rain.

Dimensional overview, face fixture



$$AH = SH + 98 \text{ mm} + \sin W \cdot (H + 70 \text{ mm} - Y)$$

$$SH = AH - 98 \text{ mm} - \sin W \cdot (H + 70 \text{ mm} - Y)$$

$$WS = \cos W \cdot (H + 70 \text{ mm} - Y) + Z$$

$$DH = SH - \sin W \cdot (Y - 70 \text{ mm})$$

W	Z [mm]
from 5° to 15°	approx. 30
from 16° to 25°	approx. 40
from 26° to 35°	approx. 50
from 36° to 45°	approx. 60

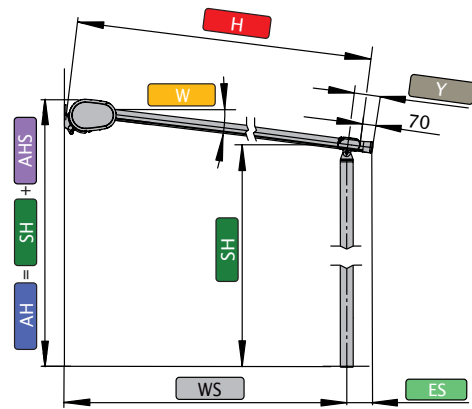
dimensions in mm

- H = nominal extension
- AH = fixture height
- W = pitch
- WS = distance from wall to support post centre
- SH = support post height, standard height 2500 mm (special heights on request)
- Y = the support post can be moved in by a min. of 100 mm and a maximum of 1000 mm
- 77780 = wall sealing profile, optional, effective up to a pitch of 25°
- 76623 = face fixture cassette bracket, left
- 76624 = face fixture cassette bracket, right
- DH = headroom
- Z = calculation value for the distance wall to support post centre WS (see table)

Installation dimensions

calculation of the approximate fixture height (theoretical), examples

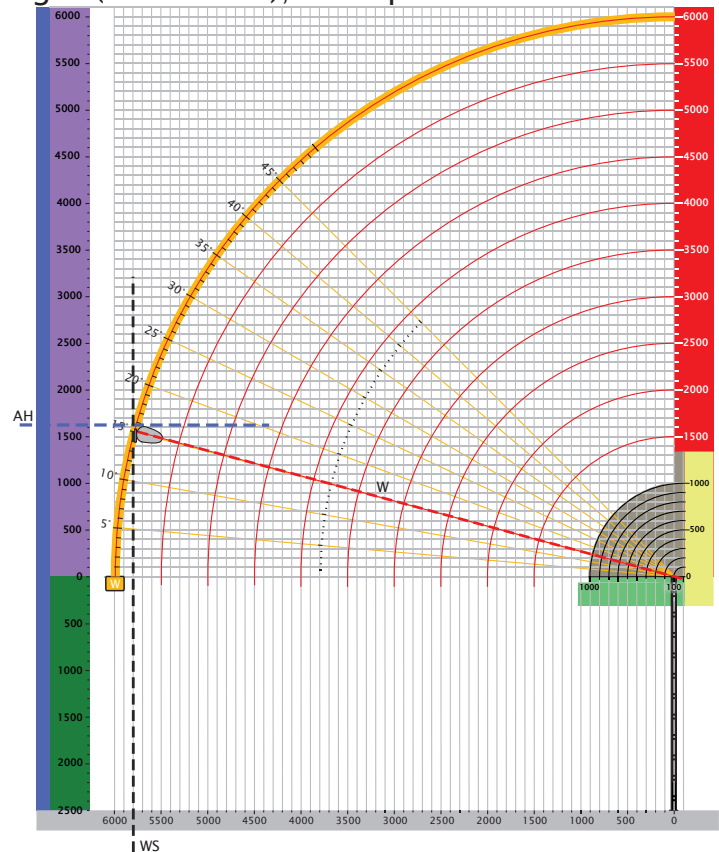
- front support posts, pushed as far out as possible, $Y = 100$ mm



dimensions in mm

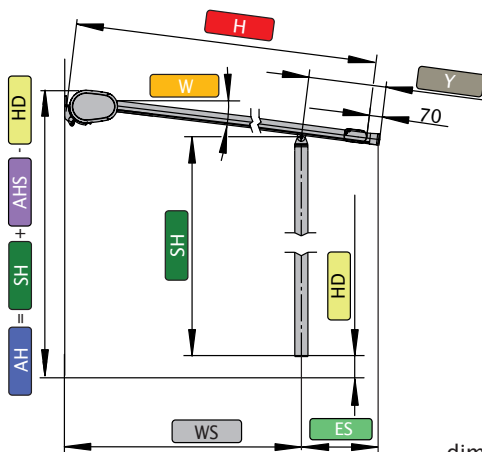
example 1:

- ES = 100
- W = 15°
- H = 6000
- WS = 5800
- Y = 100
- SH = 2500
- AHS = 1620
- AH = SH + AHS = 2500 + 1620 = 4120



- H = nominal extension
- W = pitch
- WS = distance from wall to support post
- AH = fixture height
- ES = end of the guide track - support post centre
- SH = support post height, standard height 2500 mm
- AHS = fixture height from the top edge of the support post
- HD = difference to the fixture height
- Y = distance front support posts have been moved in

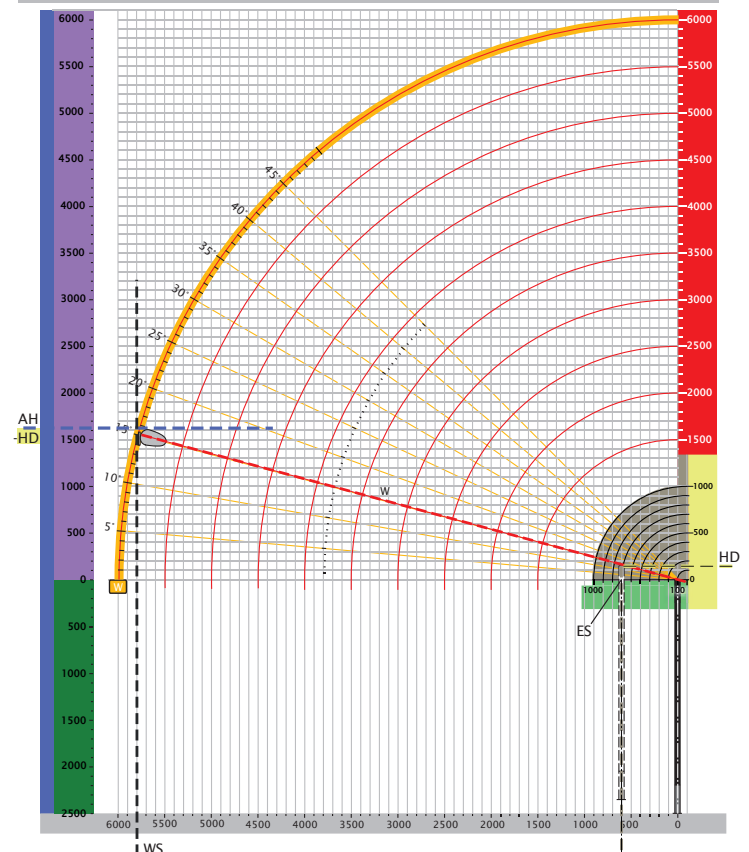
- front support posts, pushed as far in as possible, $100 \text{ mm} > Y < 1000 \text{ mm}$



dimensions in mm

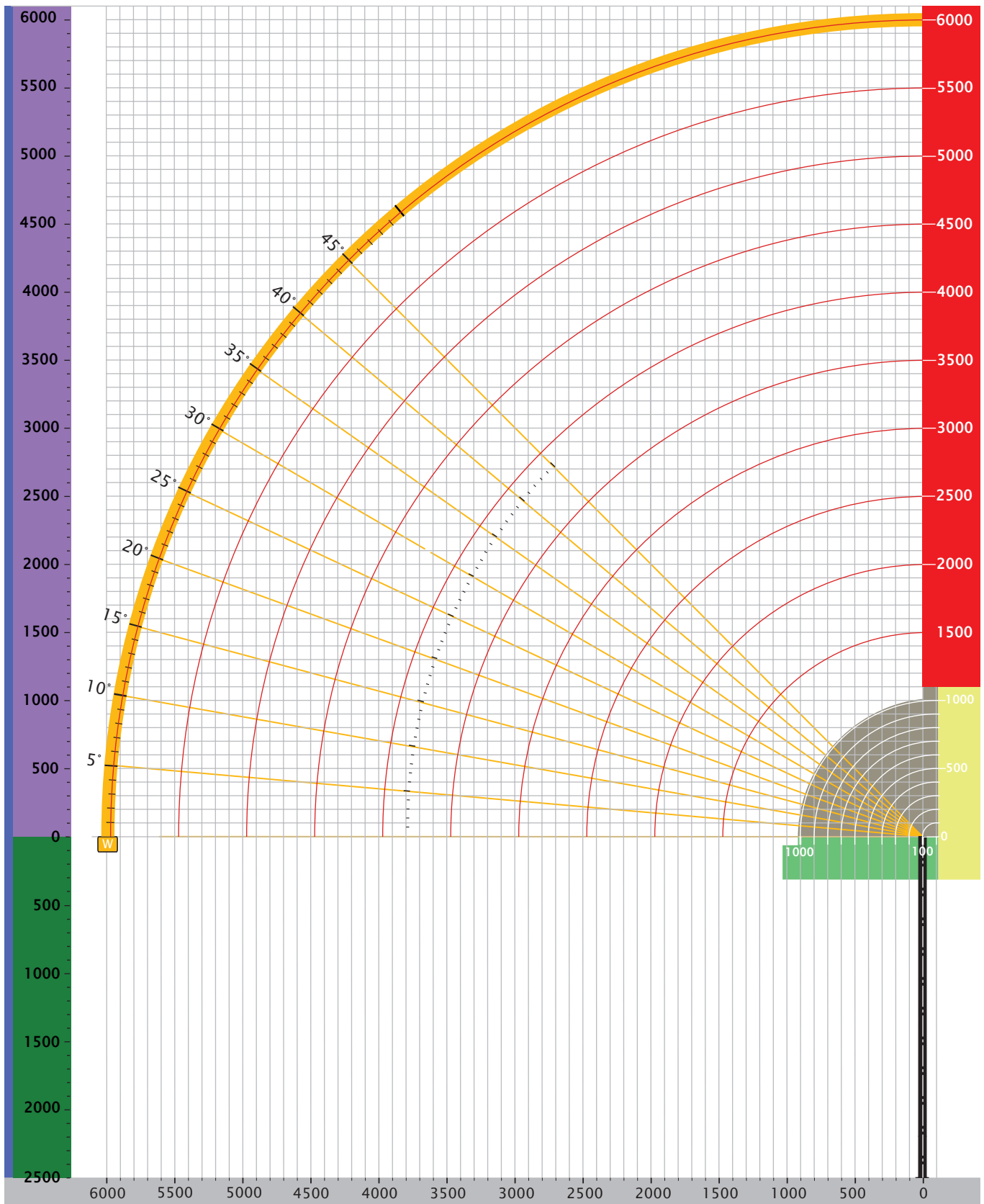
example 2:

- ES = 700
- W = 15°
- H = 6000
- WS = 5200
- Y = 700
- HD = 130
- SH = 2500
- AHS = 1620
- AH = SH + AHS - HD = 2500 + 1620 - 130 = 3990



Installation dimensions

calculation of the approximate fixture height, theoretical



dimensions in mm

markilux pergola 100

markilux pergola 200

markilux syncra fix / syncra uno fix with folding-arm awnings

markilux syncra fix / syncra uno fix with pergola 100 / 200

markilux syncra flex 2 / syncra uno flex 2 with folding-arm awnings

markilux RS 8000

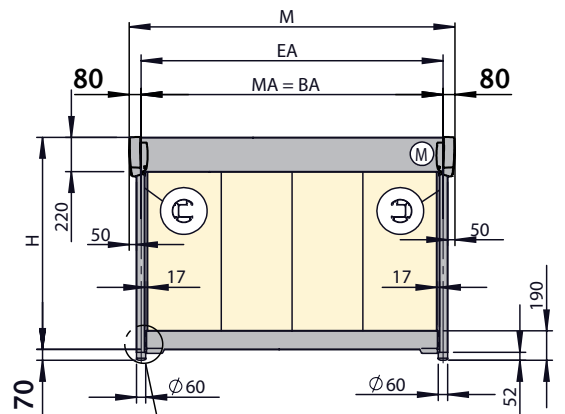
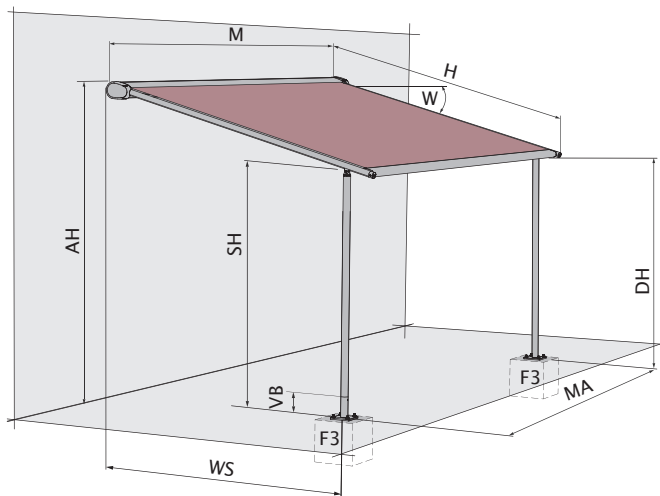
markilux 790

Optional Accessories

Technical Information

Installation dimensions

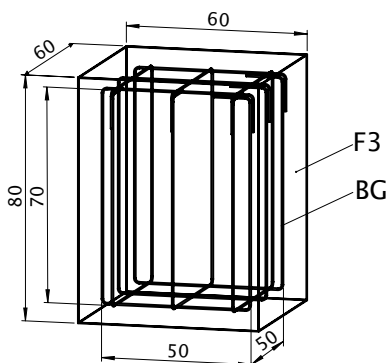
single unit, 1 field, 1 motor



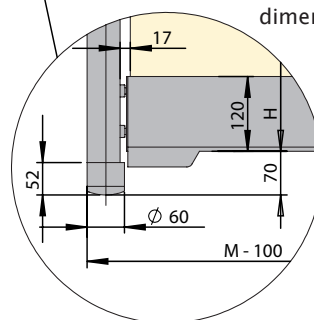
dimensions in mm

A foundation F3 for each support post has to be constructed on site in accordance with the technical drawing:

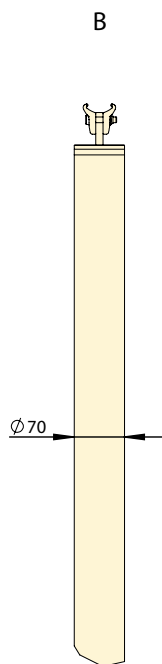
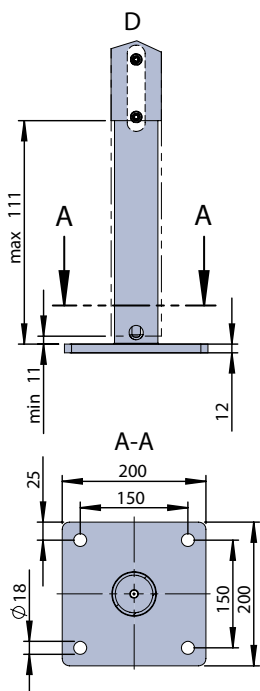
- construct a base of armoured concrete with a compressive strength of C25/30 (previously known as B25) using 6 pieces of shaped steel rebar matting, Ø 6 mm
- affix the front base plates (F3) by means of Fischer anchor bolts FAZ 10/30 made of marine grade stainless steel with washers conforming to DIN 9021 (or equivalent)



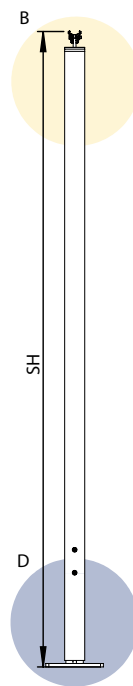
dimensions in cm



front support posts



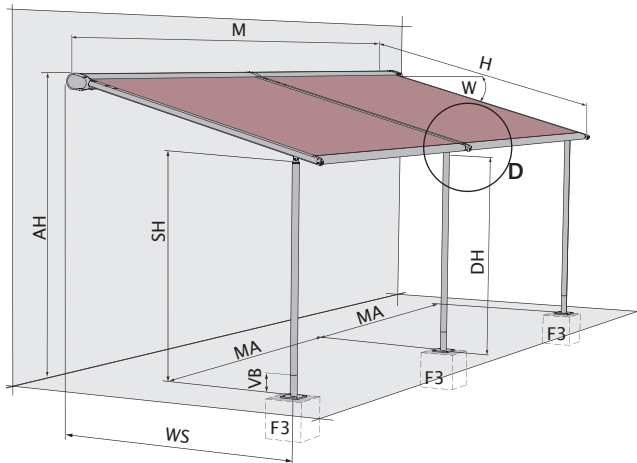
dimensions in mm



- M = overall awning width = MA + 16 cm
- MA = awning fixture width
- EA = single unit
- H = nominal extension
- Ⓜ = motor drive operation side
- SH = support post height, standard height 2500 mm (special heights on request)
- BA = order width = awning fixture width
- AH = fixture height
- BG = rebar matting made of 6 pieces of shaped steel rebar, Ø 6 mm
- F3 = concrete foundation
- W = awning pitch = 5° to 45°
- DH = headroom
- VB = height adjustment 10 cm
- WS = distance from wall to support post
- DH = headroom
- D = Detail: height adjustment at the base of both the front support posts during installation approximately 100 cm
- B = Detail: support post

Installation dimensions

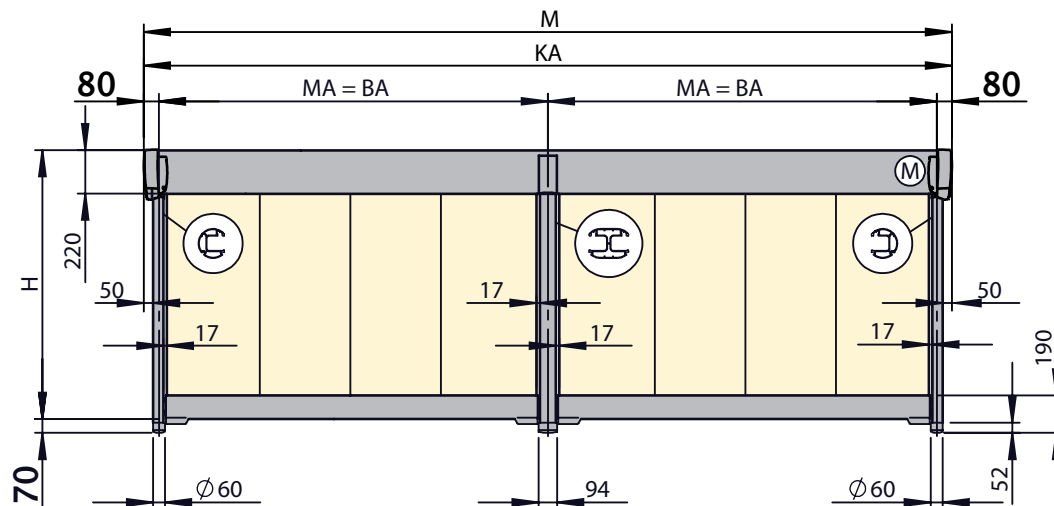
coupled units



F3 = see single units

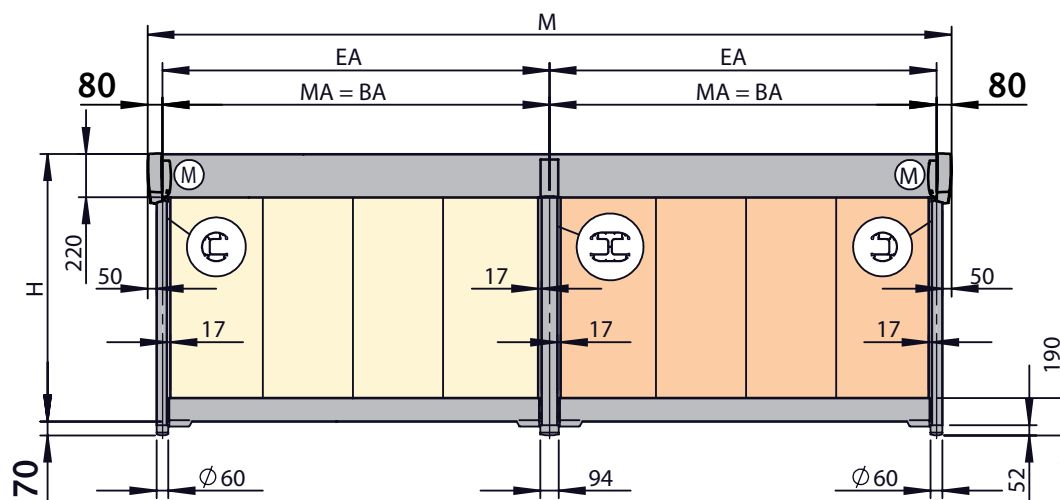
D = detail of the gutter profile for a coupling track

coupled units, 2 fields, 1 motor



dimensions in mm

coupled units, 2 fields, 2 motors



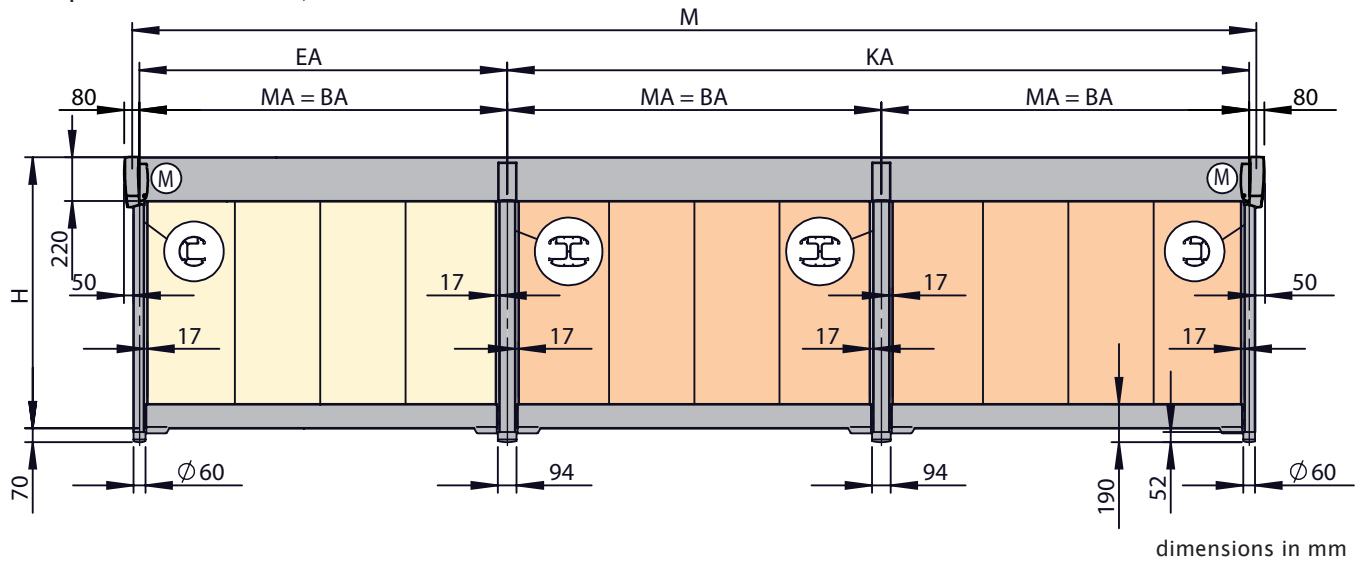
dimensions in mm

- M = overall awning width = MA + 16 cm
- MA = awning fixture width
- EA = single unit
- H = nominal extension
- ⊙ = order width = awning fixture width
- SH = support post height, standard height 2500 mm (special heights on request)
- BA = order width = awning fixture width
- AH = fixture height

- BG = rebar matting made of 6 pieces of shaped steel rebar, Ø 6 mm
- F3 = concrete foundation
- W = awning pitch = 5° to 45°
- DH = headroom
- VB = height adjustment 10 cm
- WS = distance from wall to support post
- DH = headroom

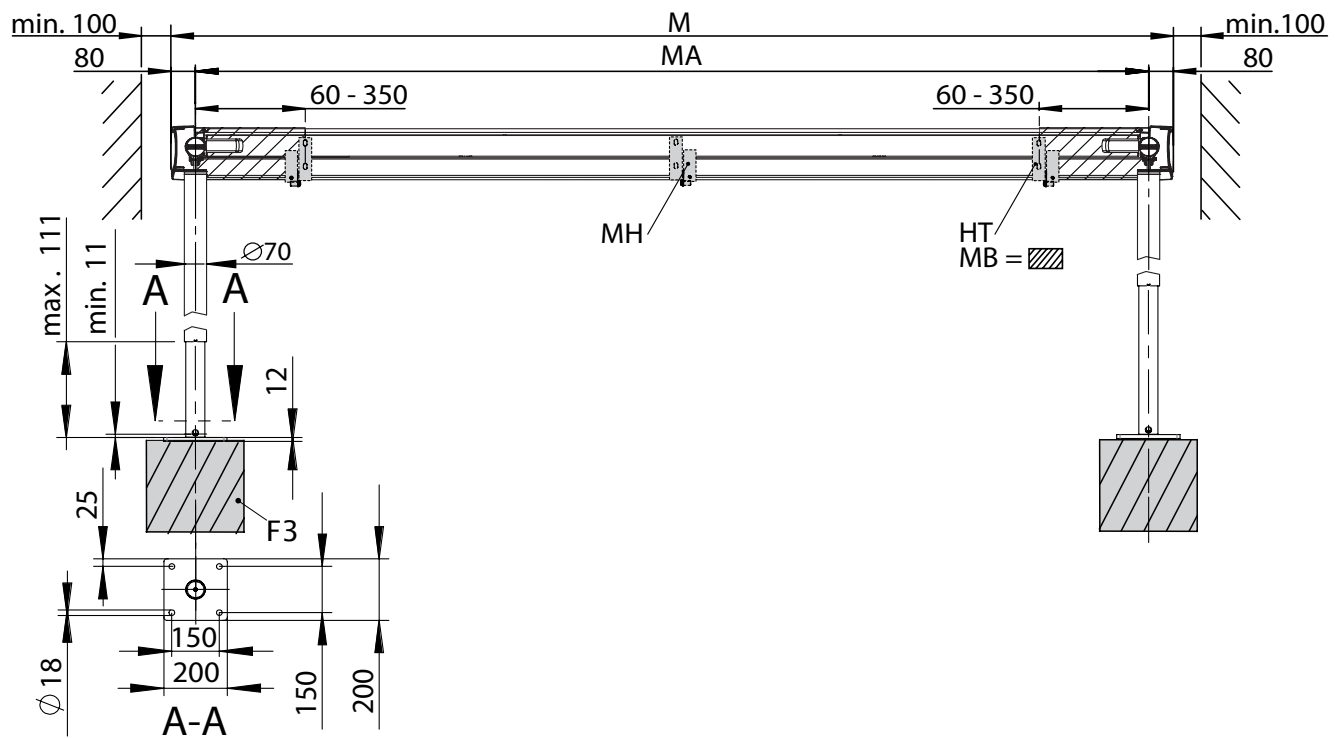
Installation dimensions

Coupled units 3 fields, 2 motors



- M = overall awning width = MA + 16 cm
- MA = awning fixture width
- EA = single unit
- H = nominal extension
- M = order width = awning fixture width
- BA = order width = awning fixture width
- H = nominal extension
- (M) = motor drive operation side

bracket fixture range /
dimensions in the case of reveal fixture (single and coupled units)

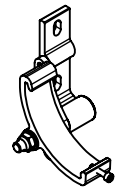
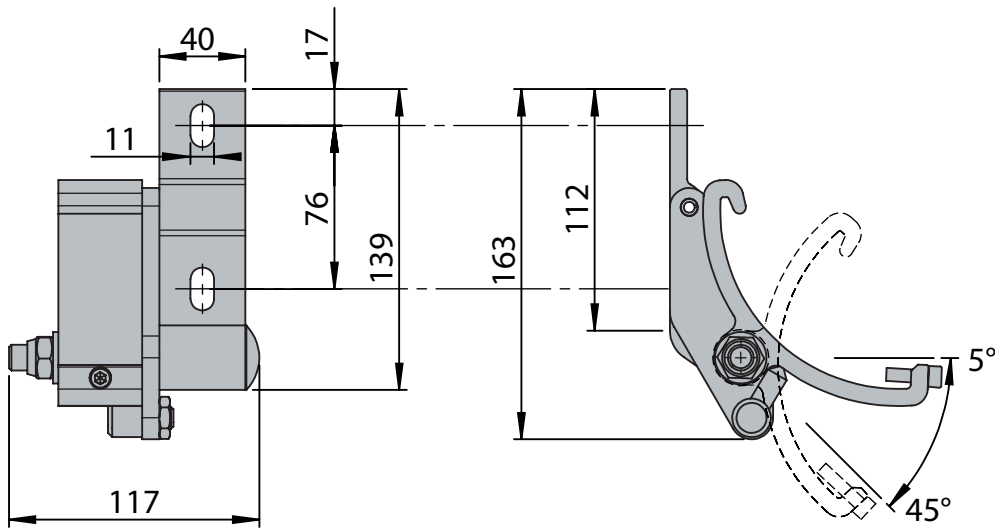


- M = overall awning width = MA + 16 cm
- MA = awning fixture width
- MB = bracket fixture range
- MH = from an awning width of 451 cm an additional face fixture bracket (76624.) is required.
- HT = bracket
- F3 = concrete foundation

In the case of reveal fixture space should be left on each side of the awning.

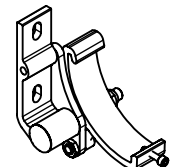
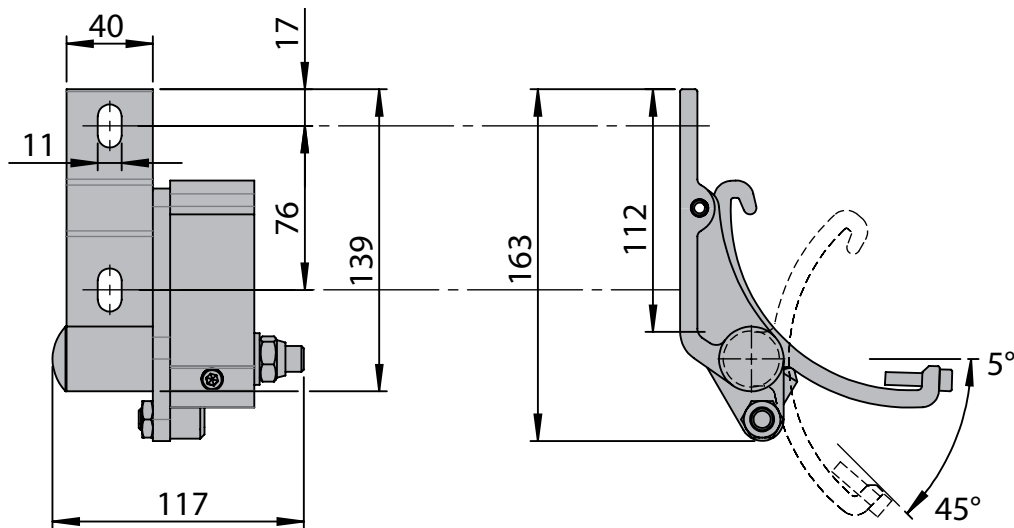
Installation dimensions

face fixture cassette bracket assembly, left



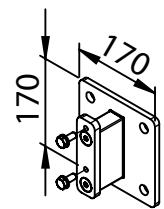
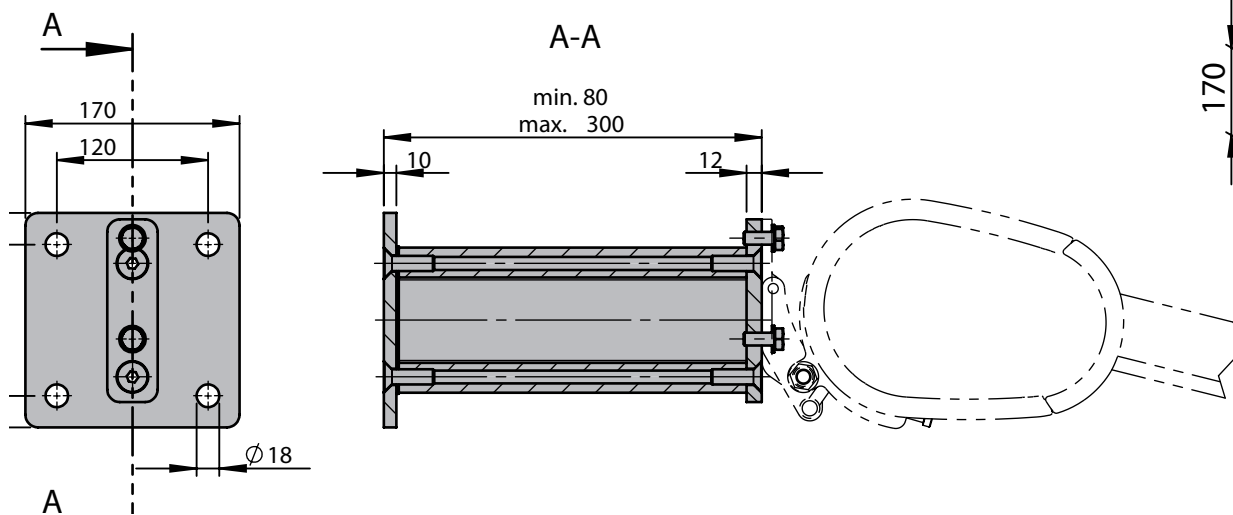
76623.

face fixture cassette bracket assembly, right



76624.

face fixture with stand-off brackets



77956.

markilux pergola 100

markilux pergola 200

markilux syncra fix / syncra uno fix with folding-arm awnings

markilux syncra fix / syncra uno fix with pergola 100 / 200

markilux syncra flex 2 / syncra uno flex 2 with folding-arm awnings

markilux RS 8000

markilux 790

Optional Accessories

Technical Information

