



markilux Collection

Specification

markilux 780 / 880

markilux 8000

markilux 8000 with curved front

markilux RS 8000

## markilux RS 8000

The sturdy support structure for large solar shading systems

markilux 8500

markilux 889

markilux Roof Festoon

Optional Accessories

# markilux



Fig.: Frame system markilux RS 8000 with conservatory awning markilux 8000 (optional) as a single and coupled unit

## markilux RS 8000

### The sturdy support structure for large solar shading systems

#### Technical highlights

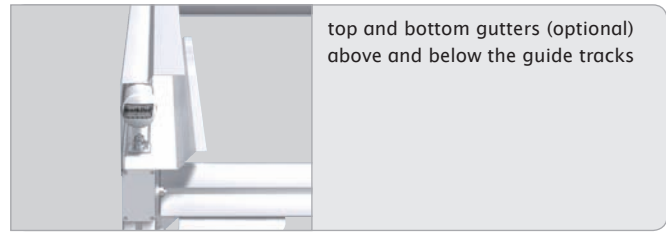
- a sturdy support structure for the conservatory awning markilux 8000
- the sturdy, extruded aluminium profiles provide more than sufficient stability to fit a conservatory awning, even at large extensions of up to 700 cm
- gusset and base plates made of steel - galvanized and powder coated for long-lasting attractiveness
- For large areas, more than one field can be coupled

#### Additional features

- top and bottom gutters drain water that runs off the sides of the cover to the front
- front rain gutter over the whole width
- polyester powder coating in all other RAL colours is available to individual order (prices on request, longer lead time)



face fixture 0 - 30° pitch possible



top and bottom gutters (optional) above and below the guide tracks



optionally with a front rain gutter, illustrated with the markilux 8000 (optional)



coupling point with top and bottom gutters (optional) above and below the guide tracks

**Standard specification**

kit system

**Standard frame colours**

traffic white - RAL 9016

metallic aluminium - RAL 9006

grey brown - similar to RAL 8019

**Optional accessories**

top and bottom gutters

front gutter

coupled units

non-standard powder-coated finish

## Dimensions and configuration options

single field  
 overall width = fixture width + 8 cm

additional field / fields:  
 overall width of multiple units = fixture width single field + fixture width additional field + 8 cm

		fixture width single unit										
		150	200	250	300	350	400	450	500 <sup>1)</sup>	550 <sup>1)</sup>	600 <sup>1)</sup>	650 <sup>1)</sup>
		74 - 150	151 - 200	201 - 250	251 - 300	301 - 350	351 - 400	401 - 450	451 - 500	501 - 550	551 - 600	601 - 650
overall width		+ 8	+ 8	+ 8	+ 8	+ 8	+ 8	+ 8	+ 8	+ 8	+ 8	+ 8
extension	150											
	200											
	250											
	300											
	350											
	400											
	450											
	500											
	550											
	600											
650												
700												

- = available
- = available including one additional cross member to allow the cover support tube to be braced
- = available including two additional cross members to allow the cover support tubes to be braced

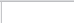



dimensions in cm

1) from a field width of 451 cm, an additional central housing support is required

The markilux 8000 frame system is supplied as a kit including the bolts for installing the markilux 8000. When ordering the order form template for single, coupled and three-field units should be used.

**Top and bottom gutters** for covering the gaps between cover and tracks at the side of the awning can be supplied on request for single, double and coupling tracks. From an extension of 300 cm they are supplied in sections which can be pushed together during the fixture process.

**Front gutter:** In addition to the top and bottom gutters, a front gutter, to remove rainwater when the awning is extended, can be ordered if required (see diagram regarding fixture dimensions).

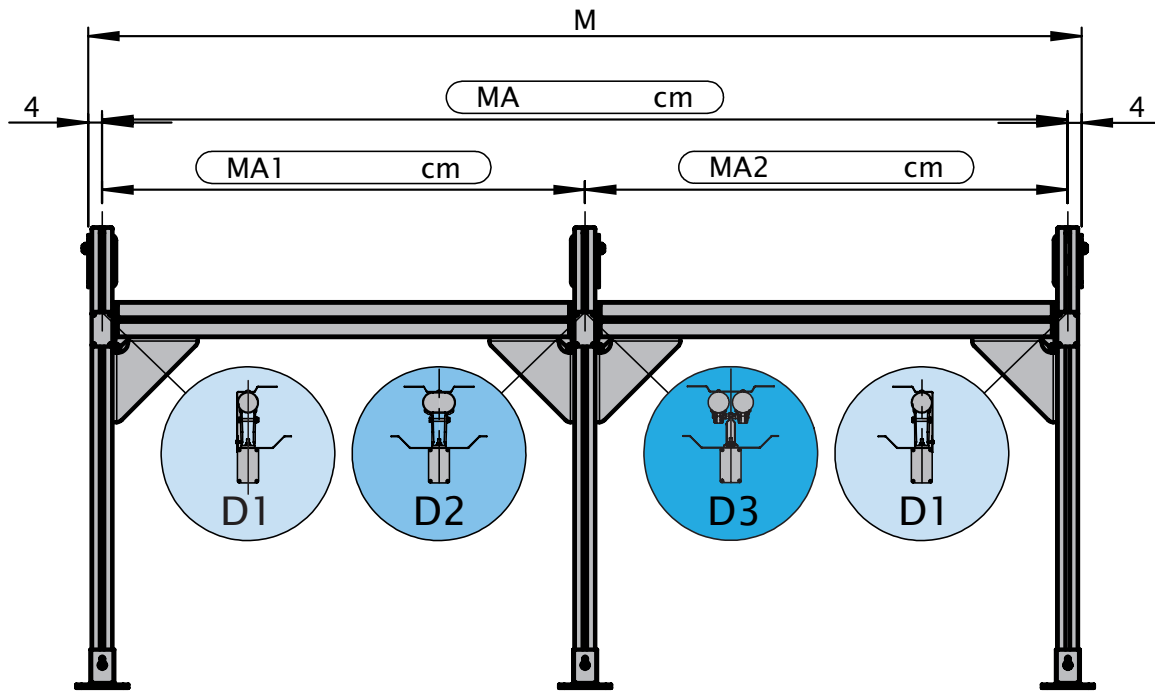
Frame colours		
traffic white - RAL 9016		•
metallic aluminium - RAL 9006		•
grey brown - similar to RAL 8019		•
non-standard powder-coated finish		○

\* Colours similar to the RAL chart - these may differ slightly from those depicted in both hue and finish.



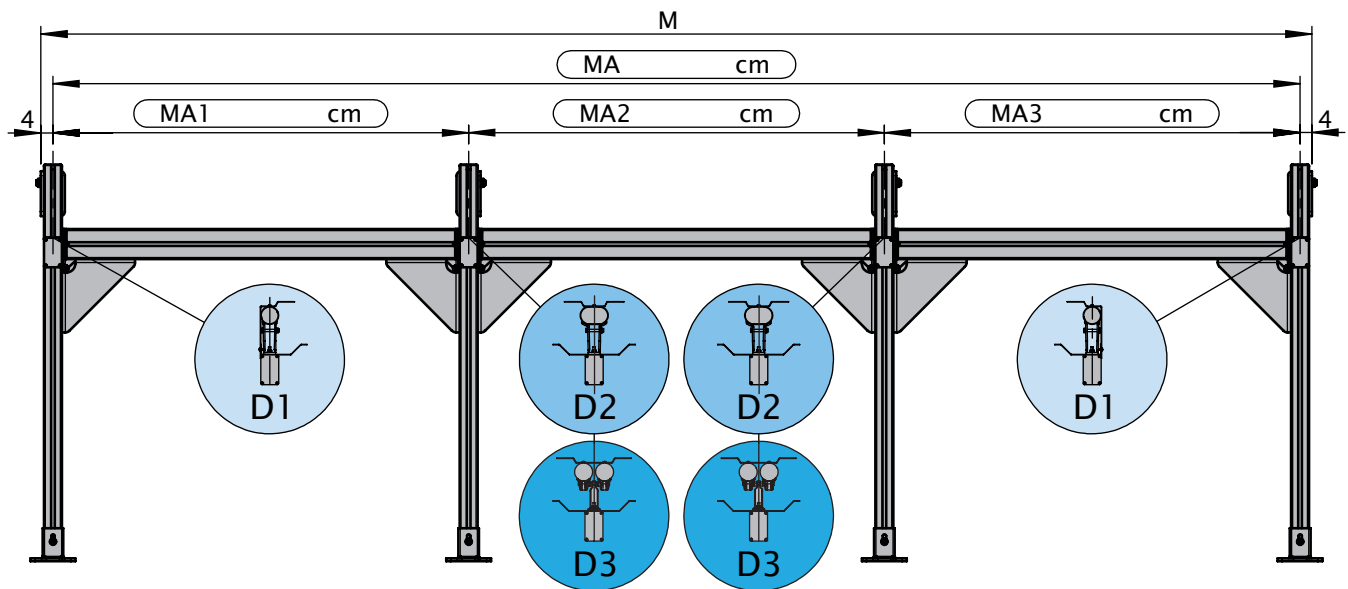
## Installation dimensions

### Dimensions 2 coupled units



dimensions in cm

### Dimensions 2 coupled units

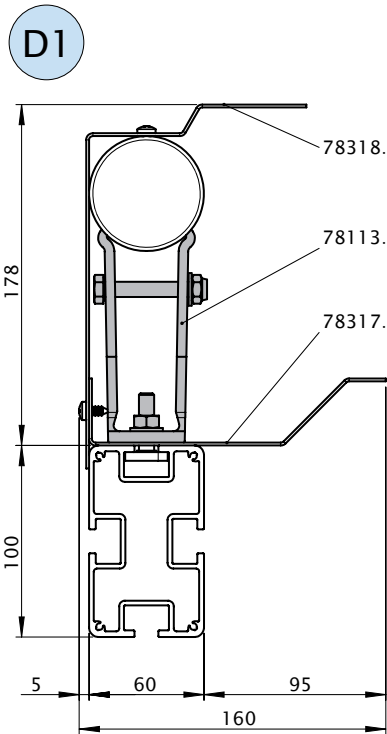


dimensions in cm

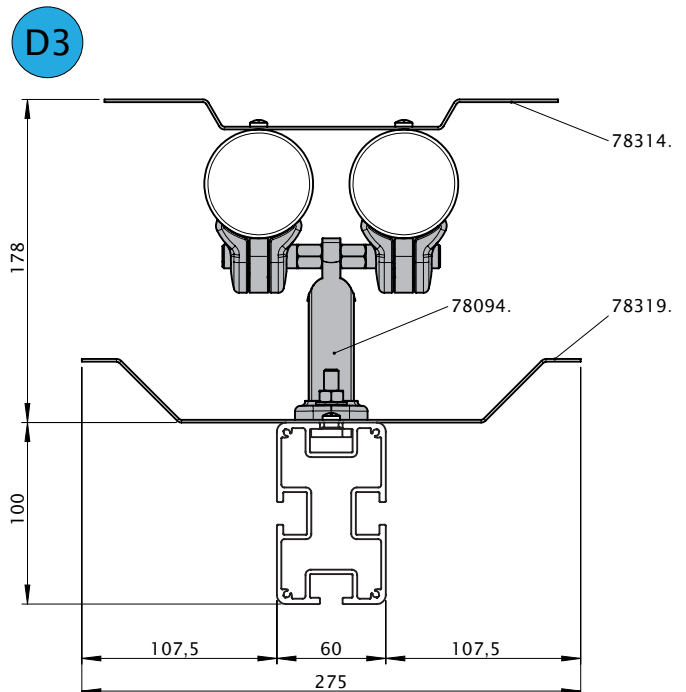
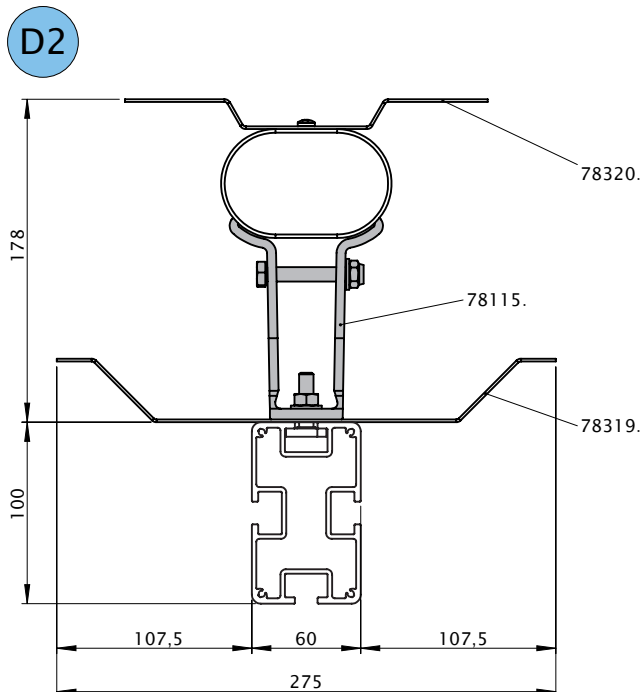
- M = overall awning width
- MA = awning width between fixture points = fixture width = order width
- MA1 = 1st measurement between fixture points
- MA2 = 2nd measurement between fixture points
- MA3 = 3rd measurement between fixture points
- D1 = top/bottom gutter for single guide track (optional)
- D2 = top/bottom gutter for coupling guide track (optional)
- D3 = top/bottom gutter for double guide tracks (optional)

## Installation dimensions

overview top and bottom gutters for single guide track (optional)



dimensions in mm

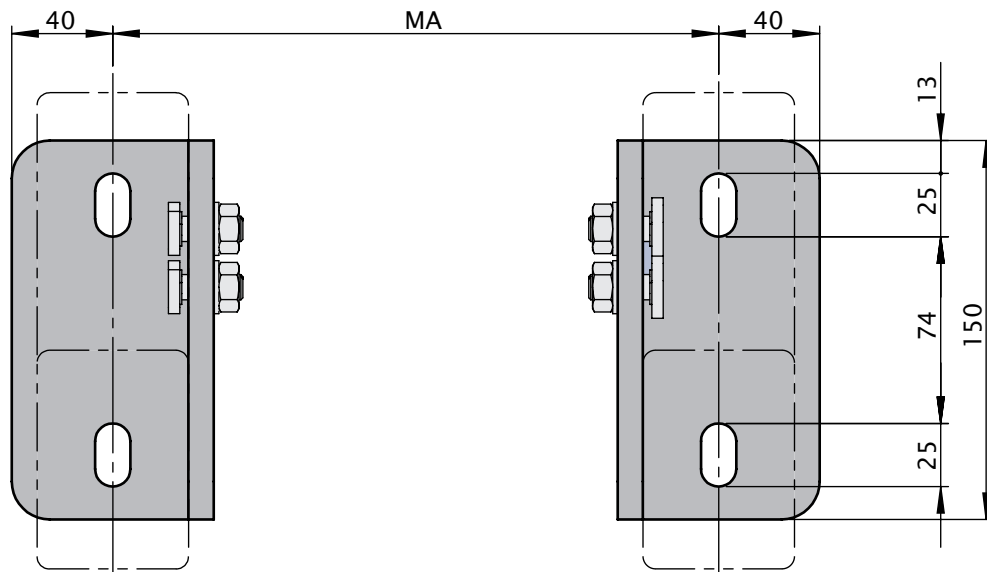


dimensions in mm

- D1 = top/bottom gutter for single guide track (optional)
- 78318. = top gutter for single guide track (optional)
- 78317. = bottom gutter for single guide track (optional)
- 78113. = extension up to 4000 mm 1 x per track, extension from 4001 mm 2 x per track
- D2 = top/bottom gutter for coupling guide track (optional)
- 78320. = top gutter for coupling guide track
- 78115. = extension up to 4000 mm 1 x per track, extension from 4001 mm 2 x per track
- 78319. = bottom gutter for coupling track
- D3 = top/bottom gutter for double guide tracks (optional)
- 78314. = top gutter for 2 single guide tracks
- 78094. = double track bracket assembly markilux 8000

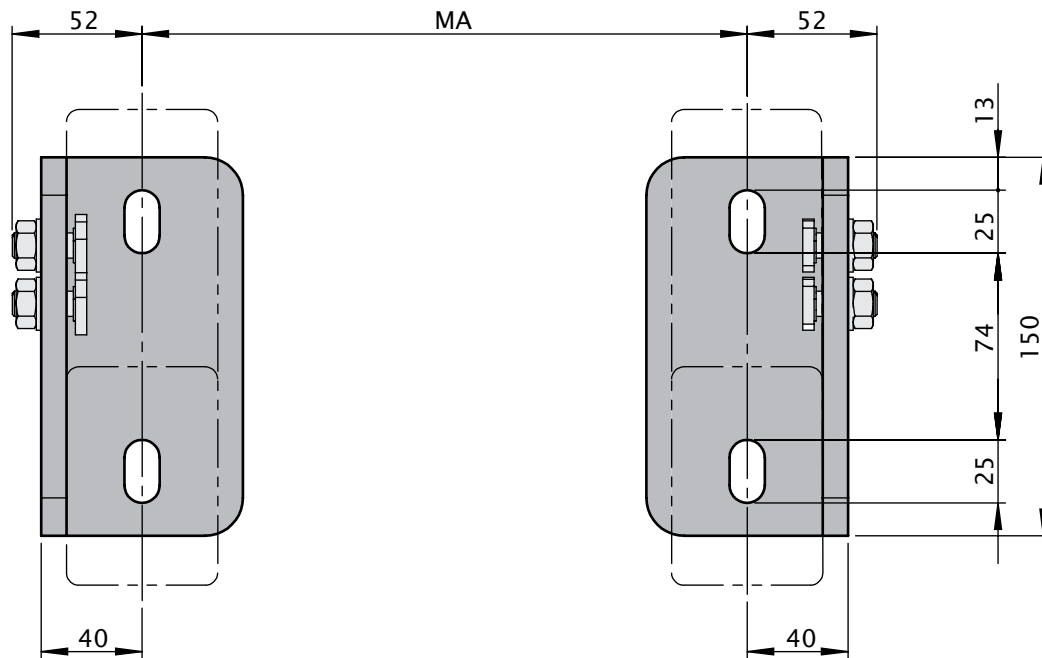
## Installation dimensions

fixture of the angled wall bracket on the inside



dimensions in mm

fixture of the angled wall bracket on the outside

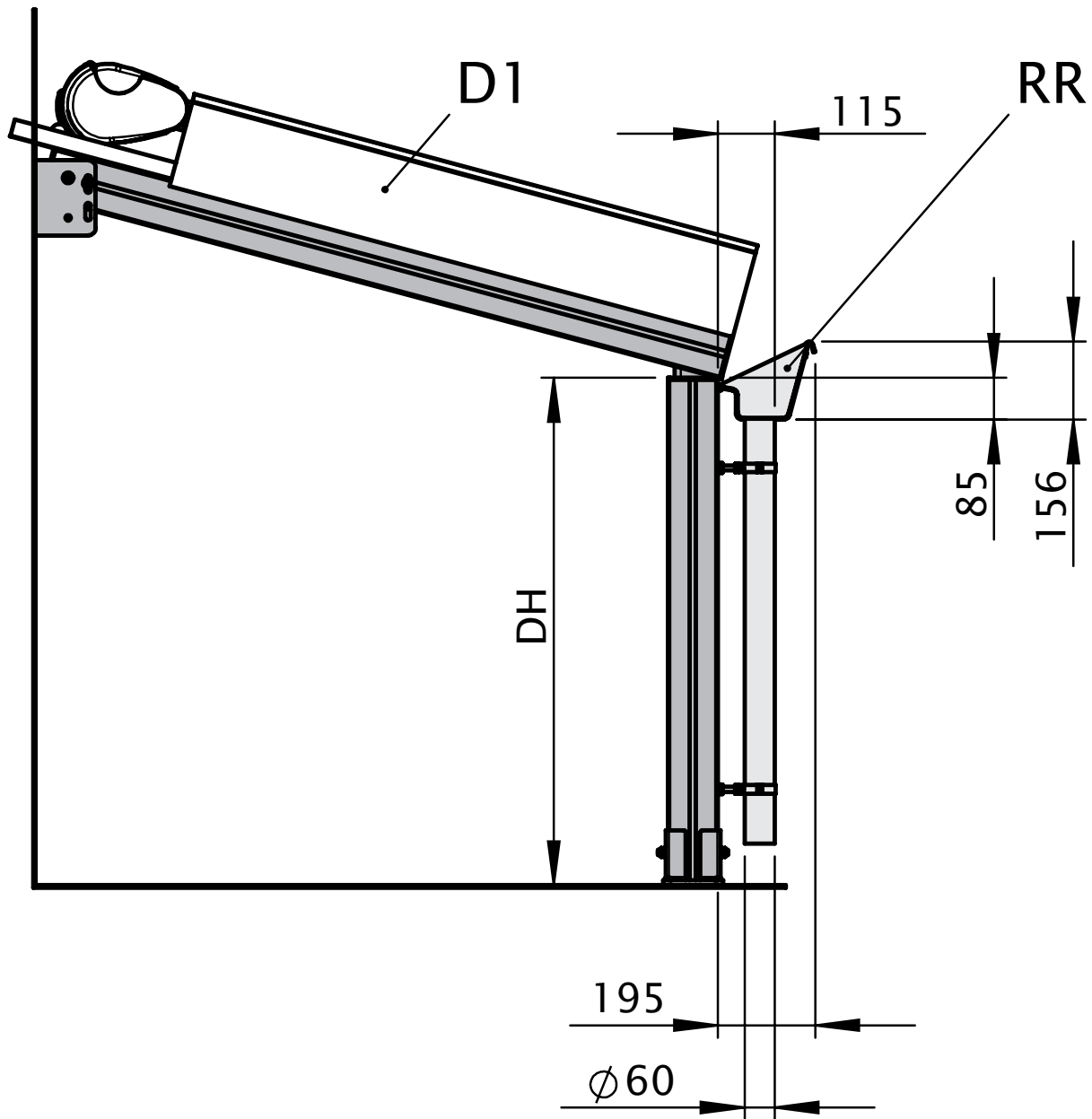


dimensions in mm

MA = awning width between fixture points = fixture width = order width

## Installation dimensions

RS 8000 with gutter system (optional)



dimensions in mm

- D1 = top/bottom gutter for single guide track (optional)
- DH = headroom
- RR = front gutter

markilux Collection

Specification

markilux 780 / 880

markilux 8000

markilux 8000 with curved front

**markilux RS 8000**

markilux 8500

markilux 889

markilux Roof Festoon

Optional Accessories

Technical Information

