

markilux pergola 100
 markilux pergola 200
 markilux syncra fix / syncra uno fix with folding-arm awnings
 markilux syncra fix / syncra uno fix with pergola 100 / 200
 markilux syncra flex 2 / syncra uno flex 2 with folding-arm awnings

markilux RS 8000

markilux 790

Optional Accessories

Technical Information

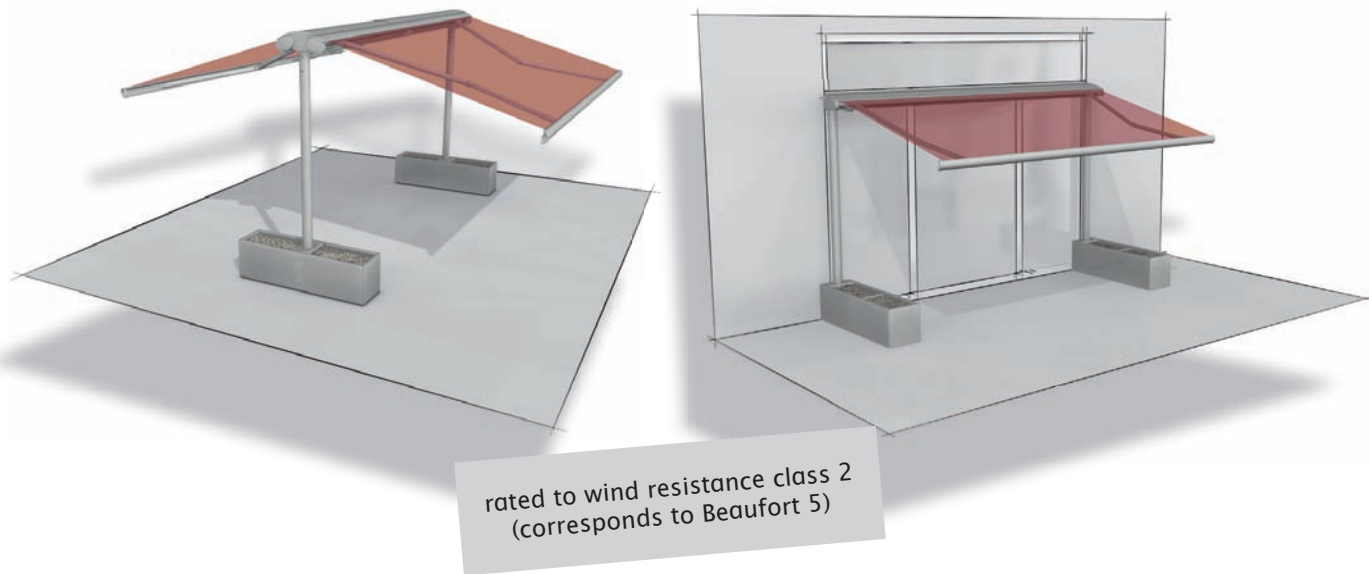
markilux syncra flex 2 / syncra uno flex 2

A pleasant and inviting atmosphere in the open air
 Awning stand system for markilux folding-arm awnings – free-standing

markilux

markilux syncra flex 2
with two folding-arm awnings

markilux syncra flex 2
with one folding-arm awning



markilux syncra flex 2 / syncra uno flex 2

A pleasant and inviting atmosphere in the open air
Awning stand system for markilux folding-arm awnings – erect it
wherever you like

Design features

- sturdy awning stand system made of steel, purist in style
- the appearance of the markilux syncra is in perfect harmony with the shapes of the awning models
- protection from the sun and rain in open spaces (water drainage guaranteed by the 15° pitch, at which the folding-arm awnings are permanently set)
- Instead of weighing down the stabilisation boxes, they can also be used as planters (the open standard version)
- optionally: stabilisation boxes with wooden top made of Bangkirai or with additional cushions on top of the aluminium covers

Technical highlights

- awning stand system with two square support posts for folding-arm awnings (in the case of the syncra fix, two folding-arm awnings, in the case of the syncra uno, one folding-arm awning)
- easily erected, weigh the stabilisation boxes down on site with sand, gravel or pebbles
- independent use of the individual awnings
- can be placed wherever you like, no foundations required
- especially well suited to properties, to which it is impossible (substrate insufficiently substantial) to fit an awning
- can be positioned on the patio or in your favourite spot out in the open

Additional features

- polyester powder coating in all other RAL colours is available to individual order (prices on request, longer lead time)
- the folding-arm awnings are optionally available with hard-wired or RTS motor with markilux remote control
- awning covers made of waterproof sunsilk, markilux perla FR, are available at a surcharge
- for individual awning model descriptions as well as optional accessories and bespoke options please consult the current markilux "Folding-arm Awning Manual" or the price list
- please ask us about awning dimensions which have been excluded from the following dimension matrix

markilux syncra flex 2
with two folding-arm awnings



detail:
stabilisation box open to the top
as standard

markilux syncra flex 2
with one folding-arm awning



detail:
stabilisation box open to the top
as standard



markilux 6000



markilux 6000



markilux 5010



markilux 5010



markilux 3300 / 3300 pur



markilux 3300 / 3300 pur



markilux 990



markilux 990



markilux 1200



markilux 1200



markilux 1500 / 1550 / 1600 /
1650 / 1600 pavilion 2



markilux 1500 / 1550 / 1600 /
1650 / 1600 pavilion 2

Configuration options

please consult the "Folding-arm Awning Sales Manual" for the specification options of the individual awning models

markilux pergola 100

markilux pergola 200

markilux syncra fix / syncra uno fix with folding-arm awnings

markilux syncra fix / syncra uno fix with pergola 100 / 200

markilux syncra flex 2 / syncra uno flex 2 with folding-arm awnings

markilux RS 8000

markilux 790

Optional Accessories

Technical Information

Stabilisation box configuration options

markilux syncra flex 2 with two folding-arm awnings



Stabilisation boxes **open to the top as standard** or to be used as flower planters

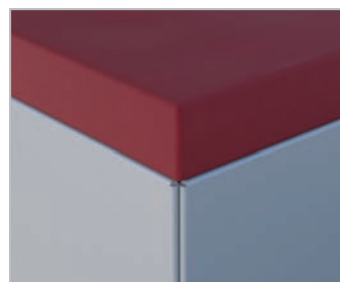


Stabilisation boxes with top made of aluminium (optional)



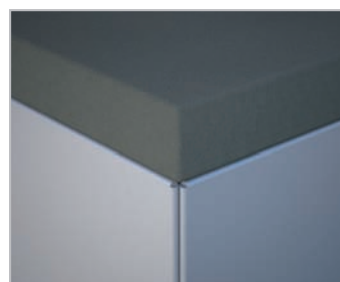
Stabilisation boxes with top made of aluminium and additional cushions (optional):

- each stabilisation box with two cushions, each approx. 78 x 45 x 8 cm (L x B x H)
- upholstery fabric dark red, pattern no. 57557



Stabilisation boxes with top made of aluminium and additional cushions (optional):

- each stabilisation box with two cushions, each approx. 78 x 45 x 8 cm (L x B x H)
- upholstery fabric anthracite, pattern no. 57518



Stabilisation boxes with optional hardwood top made of Bangkirai, in two pieces, each approx. 77.5 x 44.5 cm (L x B)



Stabilisation box configuration options

markilux syncra uno flex 2 with one folding-arm awning



Stabilisation boxes **open to the top as standard** or to be used as flower planters

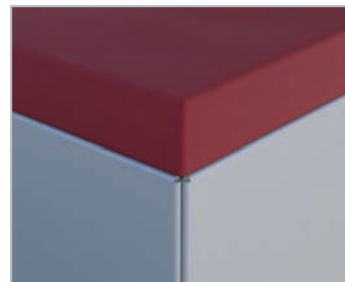


Stabilisation boxes with top made of aluminium (optional)



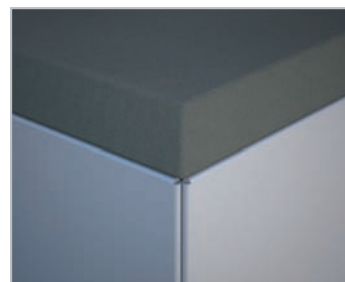
Stabilisation boxes with top made of aluminium and additional cushions (optional):

- each stabilisation box with two cushions, each approx. 78 x 45 x 8 cm (L x B x H)
- upholstery fabric dark red, pattern no. 57557



Stabilisation boxes with top made of aluminium and additional cushions (optional):

- each stabilisation box with two cushions, each approx. 78 x 45 x 8 cm (L x B x H)
- upholstery fabric anthracite, pattern no. 57518



Stabilisation boxes with hardwood (Bangkirai) top (optional), approx. 155 x 44 cm (L x B), in one piece



markilux pergola 100

markilux pergola 200

markilux syncra fix / syncra uno fix with folding-arm awnings

markilux syncra fix / syncra uno fix with pergola 100 / 200

markilux syncra flex 2 / syncra uno flex 2 with folding-arm awnings

markilux RS 8000

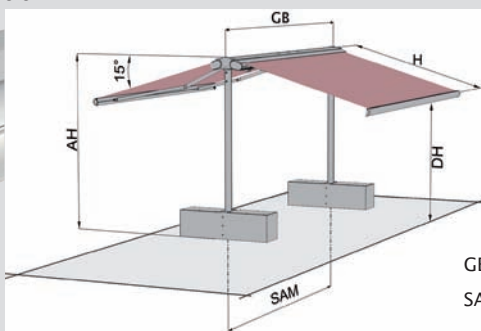
markilux 790

Optional Accessories

Technical Information

Dimensions and frame colours

syncra flex 2 with markilux 6000

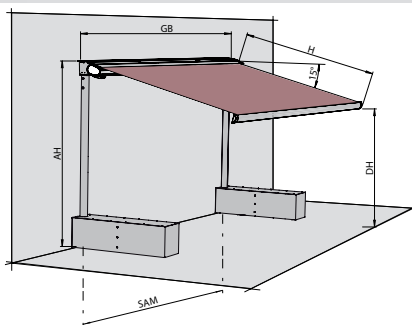


GB = overall width of the unit = awning width (M)
 SAM = post separation, centre to centre = awning width = (M) - 21 cm

projection (H)	awning width (M)					headroom (DH)	unit height (AH)
	278-300	301-350	351-400	401-450	451-500		
200	■ 14)	1)	3)	5)		245	296
250		■ 2)	3)	5)	6)	231	
300			■ 4)	5)	6)	218	

dimensions in cm

syncra uno flex 2 with markilux 6000



GB = overall width of the unit = awning width (M)
 SAM = post separation, centre to centre = awning width = (M) - 21 cm

projection (H)	awning width (M)								headroom (DH)	unit height (AH)
	331-350	351-400	401-450	451-500	501-550	551-600	601-650	651-700		
200	1)	3)	5)		9)	10)		11)	245	296
250	■ 2)	3)	5)	6)	9)	10)		11)	231	
300		■ 4)	5)	6)	9)	10)		12)	218	
350			■ 7)	6)	9)	10)		13)	204	
400				■ 8)	9)	10)			191	

dimensions in cm

■ = available, 2 folding arms

■ = available, 3 folding arms

■ only available with indented posts on request; please note the minimum widths!

- 1) min. awning width 331
- 2) min. awning width 328
- 3) min. awning width 371
- 4) min. awning width 378
- 5) min. awning width 411
- 6) min. awning width 461
- 7) min. awning width 428
- 8) min. awning width 478
- 9) min. awning width 524
- 10) min. awning width 574
- 11) min. awning width 671
- 12) min. awning width 681
- 13) min. awning width 696
- 14) min. awning width 278

H = projection
 AH = unit height
 DH = headroom

Awning pitch permanently set to 15°
 Coupled units are not available

Frame colours

traffic white - RAL 9016 (Club)		●
metallic aluminium - RAL 9006 (Studio)		○
grey brown - similar to RAL 8019		○
off-white textured finish - 5233 (Lounge)		●
nano stone grey metallic - 5215 (Lounge)		●
anthracite metallic - 5204 (Lounge)		●
special powder-coated finish		○

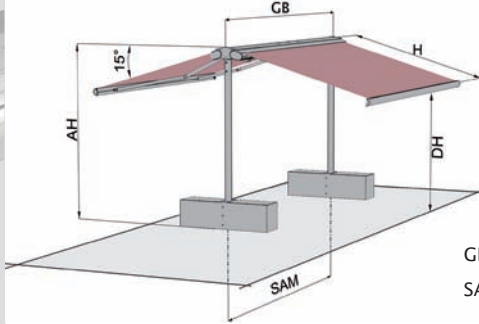
● = standard specification

○ = optional accessory

* Colours similar to the RAL chart - these may differ slightly from those depicted in both hue and finish.

Dimensions and frame colours

syncra flex 2 with markilux 5010

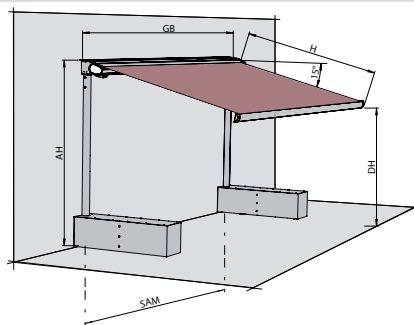


GB = overall width of the unit = awning width (M)
 SAM = post separation, centre to centre = awning width = (M) - 23 cm

projection (H)	awning width (M)					headroom (DH)	unit height (AH)
	278-300	301-350	351-400	401-450	451-500		
200	■ 21)	1)	7)	10)		247	294
250		■ 2)	7)	10)	13)	233	
300			■ 8)	10)	13)	220	

dimensions in cm

syncra uno flex 2 with markilux 5010



GB = overall width of the unit = awning width (M)
 SAM = post separation, centre to centre = awning width = (M) - 20 cm

projection (H)	awning width (M)										headroom (DH)	unit height (AH)
	250	251-300	301-350	351-400	401-450	451-500	501-550	551-600	601-650	651-700		
200	■ 21)	1)	4)	7)	10)		15)	16)		18)	247	294
250		■ 2)	5)	7)	10)	13)	15)	16)		18)	233	
300			■ 6)	8)	10)	13)	15)	16)		18)	220	
350				■ 9)	11)	13)	15)	16)	■ 17)	19)	206	
400					12)	14)	15)			■ 20)	193	

dimensions in cm

- = available, 2 folding arms
- = available, 3 folding arms

- only available with indented posts on request; Please note the minimum widths!
- 1) min. awning width 292
- 2) min. awning width 300
- 3) min. awning width 350
- 4) min. awning width 339
- 5) min. awning width 342
- 6) min. awning width 350
- 7) min. awning width 369
- 8) min. awning width 392
- 9) min. awning width 400
- 10) min. awning width 409
- 11) min. awning width 442
- 12) min. awning width 450
- 13) min. awning width 459
- 14) min. awning width 492
- 15) min. awning width 522
- 16) min. awning width 572
- 17) min. awning width 650
- 18) min. awning width 652
- 19) min. awning width 689
- 20) min. awning width 700
- 21) min. awning width 250

H = projection
 AH = unit height
 DH = headroom

Awning pitch permanently set to 15°
 Coupled units are not available

Frame colours

traffic white - RAL 9016		●
metallic aluminium - RAL 9006		●
grey brown - similar to RAL 8019		●
light ivory - RAL 1015		●
off-white textured finish - 5233 (Lounge)		●
nano stone grey metallic - 5215 (Lounge)		●
anthracite metallic - 5204 (Lounge)		●
special powder-coated finish		○

● = standard specification

○ = optional accessory

* Colours similar to the RAL chart - these may differ slightly from those depicted in both hue and finish.

markilux pergola 100

markilux pergola 200

markilux syncra flex / syncra uno fix with folding-arm awnings

markilux syncra flex / syncra uno fix with pergola 100 / 200

markilux syncra flex 2 / syncra uno flex 2 with folding-arm awnings

markilux RS 8000

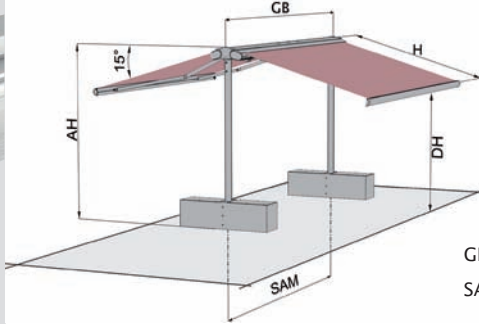
markilux 790

Optional Accessories

Technical Information

Dimensions and frame colours

syncra flex 2 with markilux 3300 / 3300 pur

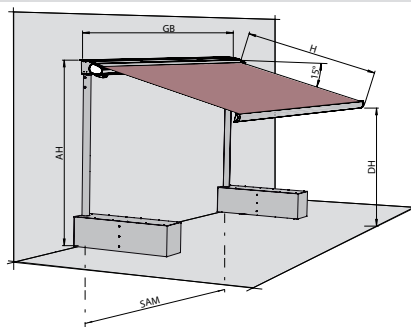


GB = overall width of the unit = awning width (M) + 3 cm
 SAM = post separation, centre to centre = awning width = (M) - 14 cm

projection (H)	awning width (M)						headroom (DH)	unit height (AH)
	229-250	251-300	301-350	351-400	401-450	451-500		
200	■ 7)	8)	9)				247	298
250		■ 1)	10)				233	
300			■ 5)	11)			220	

dimensions in cm

syncra uno flex 2 with markilux 3300 / 3300 pur



GB = overall width of the unit = awning width (M) + 3 cm
 SAM = post separation, centre to centre = awning width = (M) - 14 cm

projection (H)	awning width (M)									headroom (DH)	unit height (AH)
	251-300	301-350	351-400	401-450	451-500	501-550	551-600	601-650	651-700		
200	8)	3)								247	298
250	■ 1)	4)								233	
300		■ 5)	11)							220	
350			■ 12)	13)				■ 14)	15)	206	

dimensions in cm

- = available, 2 folding arms
- = available, 3 folding arms

- only available with indented posts on request; Please note the minimum widths!
- 1) min. awning width 300
- 3) min. awning width 305
- 4) min. awning width 320
- 5) min. awning width 350
- 7) min. awning width 250
- 8) min. awning width 275
- 9) min. awning width 305
- 10) min. awning width 320
- 11) min. awning width 370
- 12) min. awning width 400
- 13) min. awning width 435
- 14) min. awning width 650
- 15) min. awning width 681

H = projection
 AH = unit height
 DH = headroom

Awning pitch permanently set to 15°
 Coupled units are not available

Frame colours

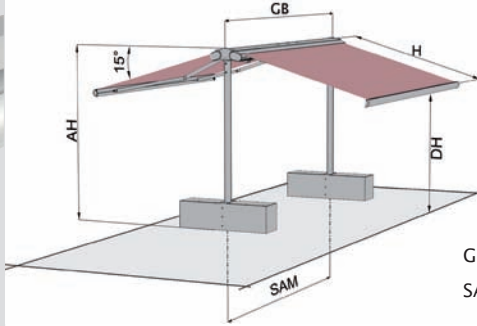
traffic white - RAL 9016		●
metallic aluminium - RAL 9006		●
grey brown - similar to RAL 8019		●
off-white textured finish - 5233 (Lounge)		●
nano stone grey metallic - 5215 (Lounge)		●
anthracite metallic - 5204 (Lounge)		●
special powder-coated finish		○

- = standard specification
- = optional accessory

* Colours similar to the RAL chart - these may differ slightly from those depicted in both hue and finish.

Dimensions and frame colours

syncra flex 2 with markilux 990

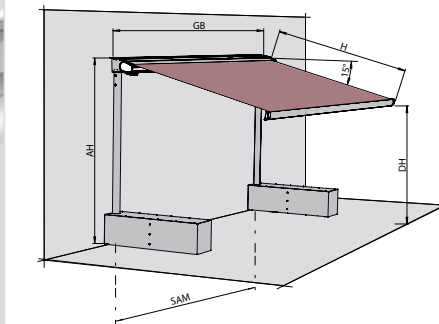


GB = overall width of the unit = awning width (M)
 SAM = post separation, centre to centre = awning width = (M) - 51 cm

projection (H)	awning width (M)						headroom (DH)	unit height (AH)
	250	278-300	301-350	351-400	401-450	451-500		
200	3)						244	295
250		1)					230	
300			2)				217	

dimensions in cm

syncra uno flex 2 with markilux 990



GB = overall width of the unit = awning width (M)
 SAM = post separation, centre to centre = awning width = (M) - 48 cm

projection (H)	awning width (M)							headroom (DH)	unit height (AH)
	229-250	251-300	301-350	351-400	401-450	451-500	651-700		
200	3)							244	295
250		1)						230	
300			2)					217	

dimensions in cm

= available, 2 folding arms

- 1) min. awning width 279
- 3) min. awning width 329
- 4) min. awning width 229

H = projection
 AH = unit height
 DH = headroom

Awning pitch permanently set to 15°
 Coupled units are not available

Frame colours

traffic white - RAL 9016		●
metallic aluminium - RAL 9006		●
grey brown - similar to RAL 8019		●
off-white textured finish - 5233 (Lounge)		●
nano stone grey metallic - 5215 (Lounge)		●
anthracite metallic - 5204 (Lounge)		●
special powder-coated finish		○

- = standard specification
- = optional accessory

* Colours similar to the RAL chart - these may differ slightly from those depicted in both hue and finish.

markilux pergola 100

markilux pergola 200

markilux syncra fix / syncra uno fix with folding-arm awnings

markilux syncra fix / syncra uno fix with pergola 100 / 200

markilux syncra flex 2 / syncra uno flex 2 with folding-arm awnings

markilux RS 8000

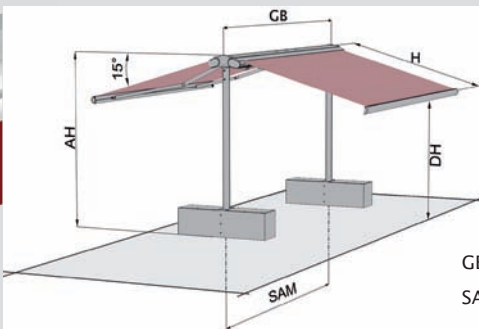
markilux 790

Optional Accessories

Technical Information

Dimensions and frame colours

syncra flex 2 with markilux 1200

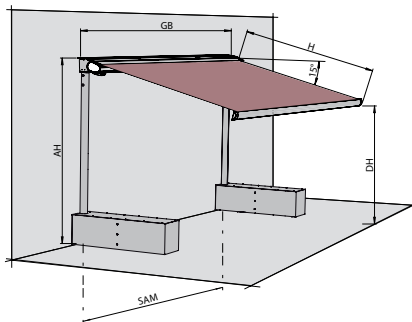


GB = overall width of the unit = awning width (M) + 3 cm
 SAM = post separation, centre to centre = awning width = (M) - 14 cm

projection (H)	awning width (M)						minimum width		headroom (DH)	unit height (AH)
	250	278-300	301-350	351-400	401-450	451-500	manual operation	motor operation		
200							233	230	249	299
250							283	280	235	
300							333	330	222	

dimensions in cm

syncra uno flex 2 with markilux 1200



GB = overall width of the unit = awning width (M) + 3 cm
 SAM = post separation, centre to centre = awning width = (M) - 14 cm

projection (H)	awning width (M)									minimum width		headroom (DH)	unit height (AH)
	251-300	301-350	351-400	401-450	451-500	501-550	551-600	601-650	651-700	manual operation	motor operation		
200										233	230	249	299
250										283	280	235	
300										333	330	222	
350										383	380	208	

dimensions in cm

- = available, 2 folding arms
- = available, 3 folding arms

H = projection
 AH = unit height
 DH = headroom

Awning pitch permanently set to 15°
 Coupled units are not available

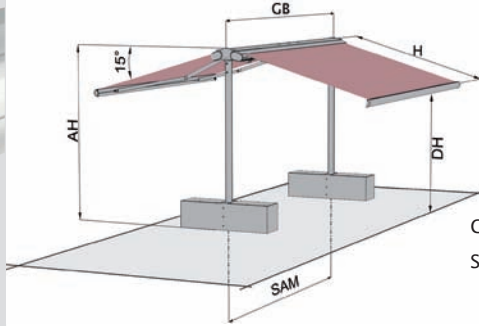
Frame colours

traffic white - RAL 9016		•
metallic aluminium - RAL 9006		•
grey brown - similar to RAL 8019		•
special powder-coated finish		○

- = standard specification
- = optional accessory
- * Colours similar to the RAL chart - these may differ slightly from those depicted in both hue and finish.

Dimensions and frame colours

syncra flex 2 with markilux 1500 / 1550 / 1600 / 1650

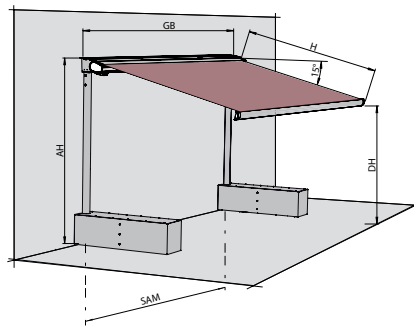


GB = overall width of the unit = awning width (M) + 3 cm
 SAM = post separation, centre to centre = awning width = (M) - 14 cm

dimensions in cm

projection (H)	awning width (M)						minimum width 1500 / 1550		minimum width 1600 / 1650		headroom (DH)	unit height (AH)
	250	278-300	301-350	351-400	401-450	451-500	manual operation	motor operation	manual operation	motor operation		
200							246	243	240	248	249	300
250							296	293	290	298	235	
300							346	343	340	348	222	

syncra uno flex 2 with markilux 1500 / 1550 / 1600 / 1650



GB = overall width of the unit = awning width (M) + 3 cm
 SAM = post separation, centre to centre = awning width = (M) - 14 cm

dimensions in cm

projection (H)	awning width (M)									minimum width 1500 / 1550		minimum width 1600 / 1650		headroom (DH)	unit height (AH)
	240-310	311-360	361-410	411-460	461-510	511-560	561-610	611-660	661-710	manual operation	motor operation	manual operation	motor operation		
200									*	246	243	240	248	249	300
250									*	296	293	290	298	235	
300									*	346	343	340	348	222	
350								*	*	396	393	390	398	208	
400*								*	*	---	---	---	437	195	

= available, 2 folding arms

= available, 3 folding arms

* not possible in the case of markilux 1500 / 1550
 1) min. awning width 701

H = projection
 AH = unit height
 DH = headroom

Awning pitch permanently set to 15°
 Coupled units are not available

Frame colours

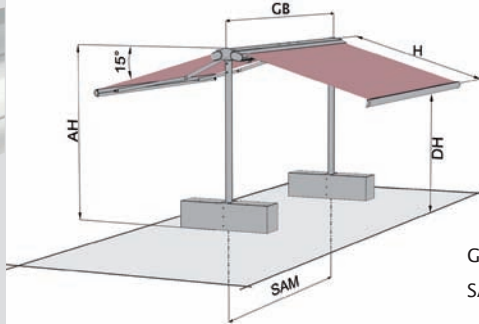
traffic white - RAL 9016		●
metallic aluminium - RAL 9006		●
grey brown - similar to RAL 8019		●
off-white textured finish - 5233 (Lounge)		●
nano stone grey metallic - 5215 (Lounge)		●
anthracite metallic - 5204 (Lounge)		●
special powder-coated finish		○

● = standard specification
 ○ = optional accessory

* Colours similar to the RAL chart - these may differ slightly from those depicted in both hue and finish.

Dimensions and frame colours

syncra flex 2 with markilux 1600 pavilion 2

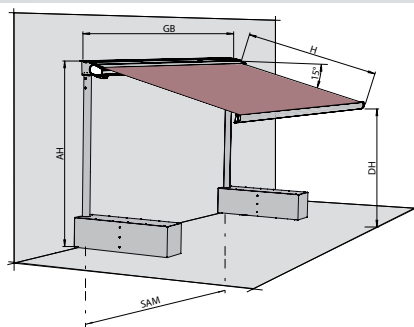


GB = overall width of the unit = awning width (M) + 3 cm
 SAM = post separation, centre to centre = awning width = (M) - 14 cm

projection (H)	awning width (M)				minimum width	headroom (DH)	unit height (AH)
	350-360	361-410	411-460	461-510			
250					350	235	300
300					400	222	

dimensions in cm

syncra uno flex 2 with markilux 1600 pavilion 2



GB = overall width of the unit = awning width (M) + 3 cm
 SAM = post separation, centre to centre = awning width = (M) - 11 cm

projection (H)	awning width (M)							minimum width	headroom (DH)	unit height (AH)
	350-360	361-410	411-460	461-510	511-560	561-610	611-660			
250								350	235	300
300								400	222	

dimensions in cm

= available, 2 folding arms

H = projection
 AH = unit height
 DH = headroom

Awning pitch permanently set to 15°
 Coupled units are not available

Frame colours

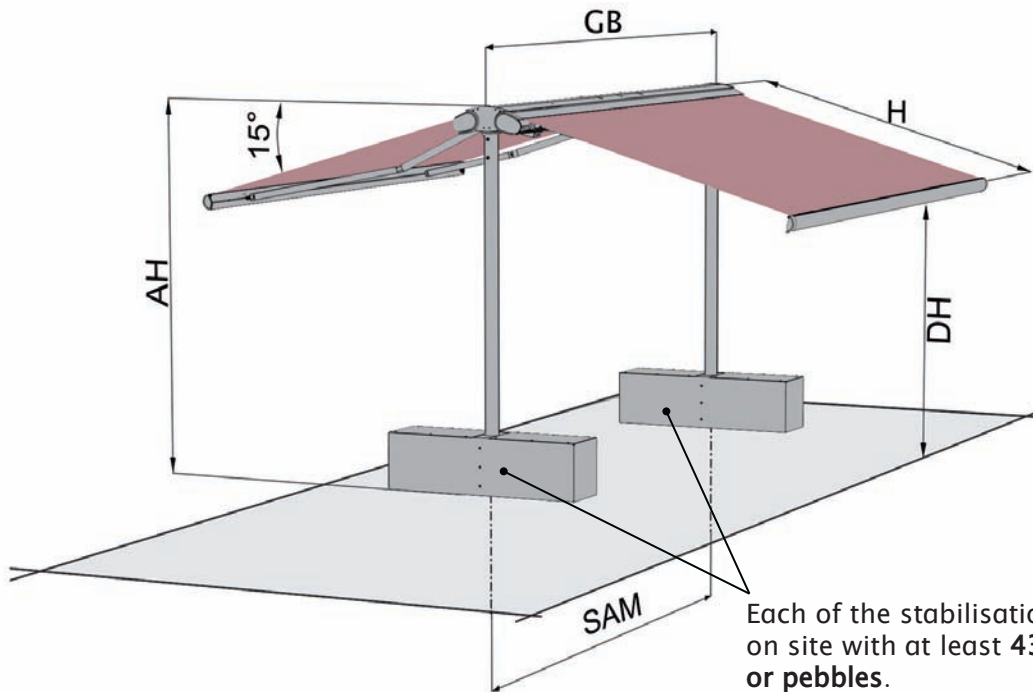
traffic white - RAL 9016		●
metallic aluminium - RAL 9006		●
grey brown - similar to RAL 8019		●
off-white textured finish - 5233 (Lounge)		●
nano stone grey metallic - 5215 (Lounge)		●
anthracite metallic - 5204 (Lounge)		●
special powder-coated finish		○

● = standard specification
 ○ = optional accessory

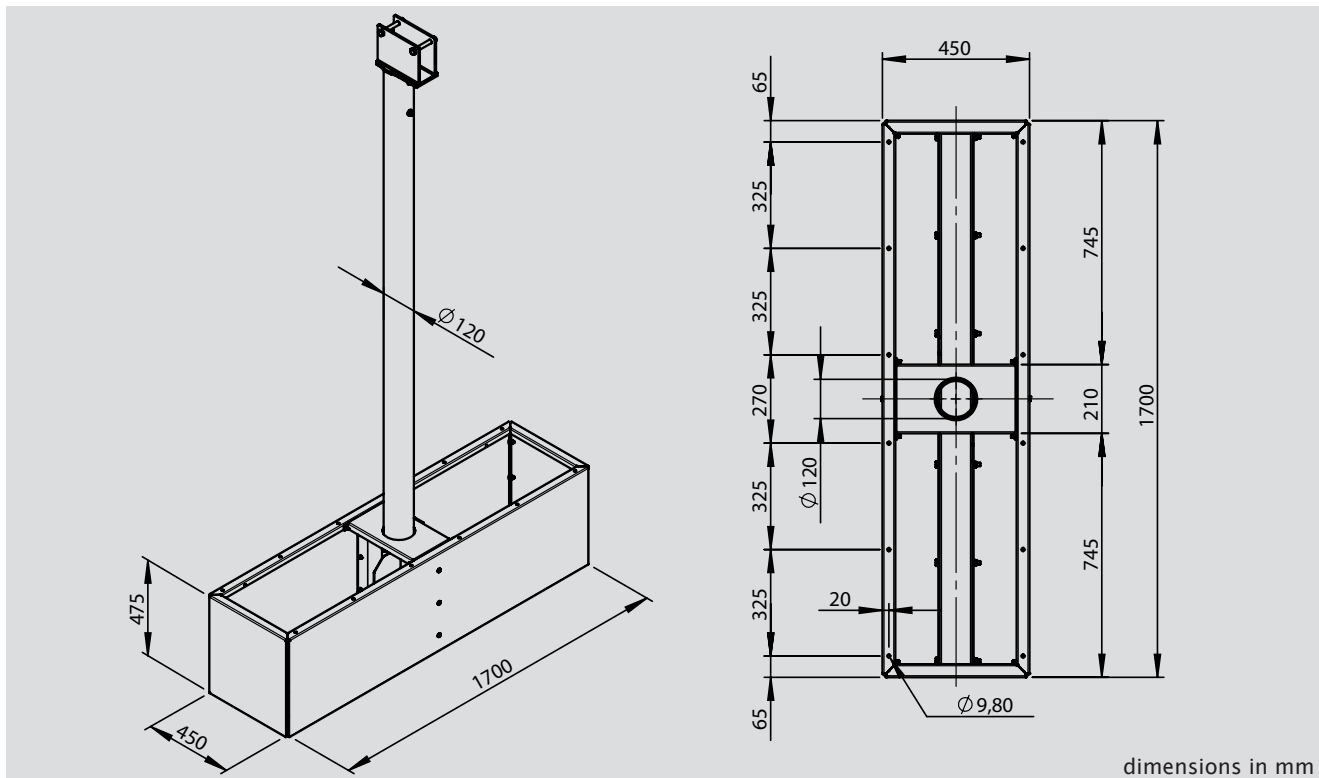
* Colours similar to the RAL chart - these may differ slightly from those depicted in both hue and finish.

Installation dimensions

syncra flex 2 with two folding-arm awnings



Each of the stabilisation boxes is to be filled on site with at least **430 kg of sand, gravel or pebbles.**



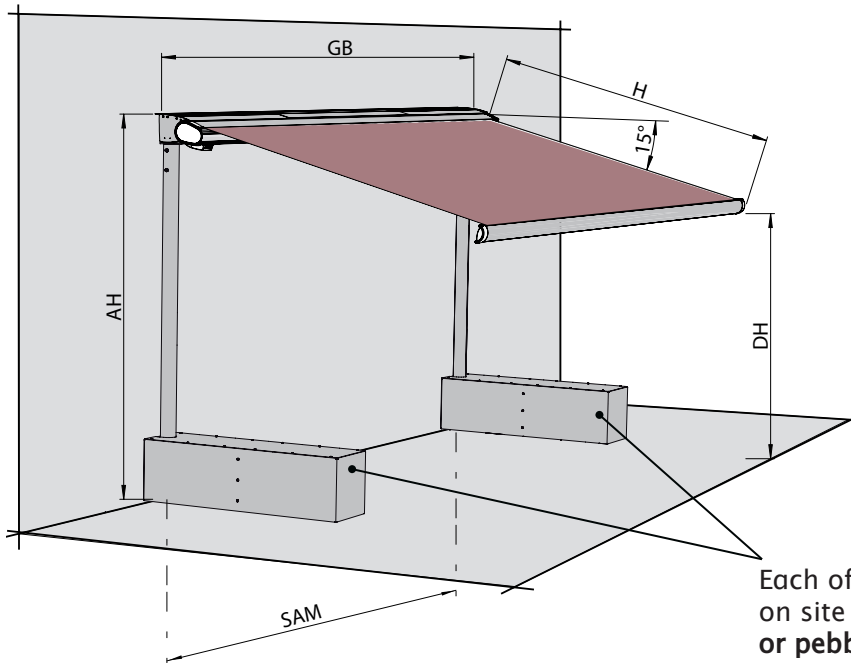
dimensions in mm

- GB = overall width of the unit (depends on the awning model)
- H = projection (depends on the awning model)
- AH = unit height (depends on the awning model)
- DH = headroom (depends on the awning model)
- SAM = post separation, centre to centre (depends on the awning model)

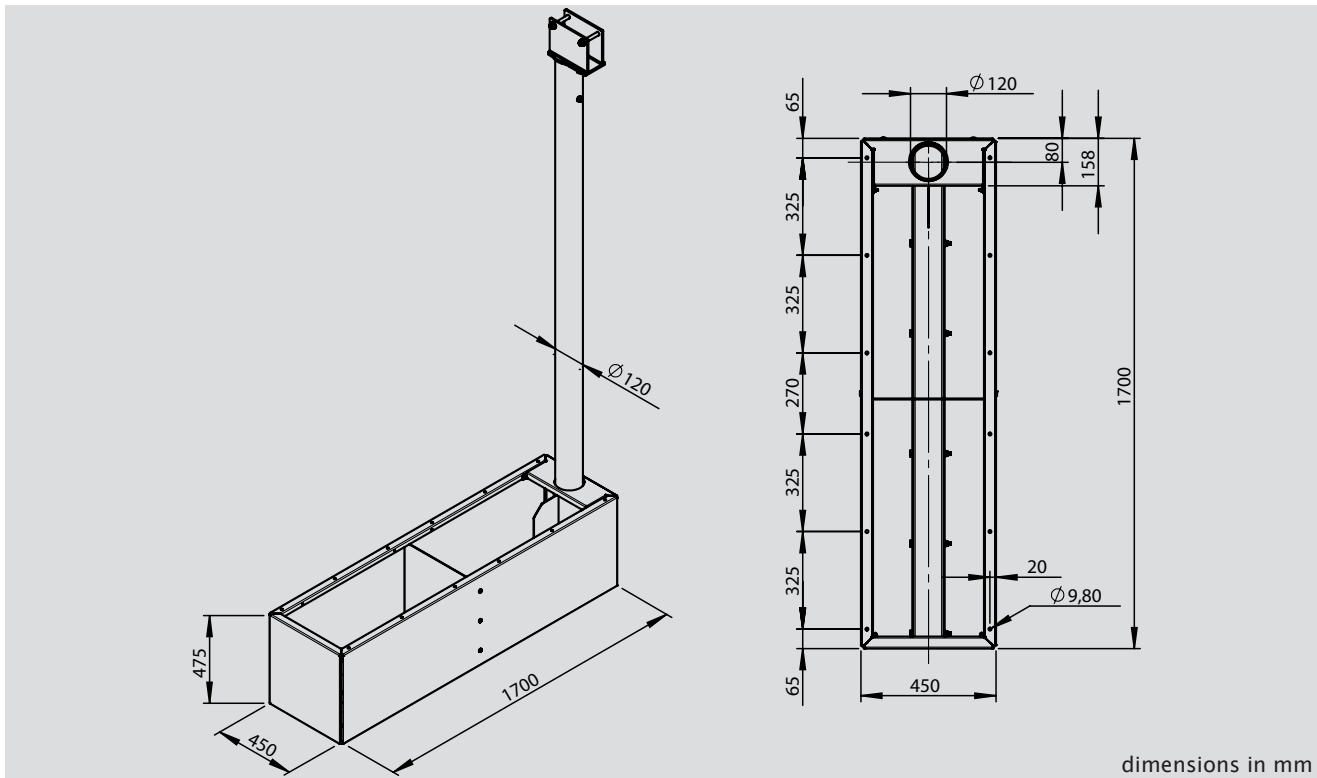
markilux pergola 100
markilux pergola 200
markilux syncra fix / syncra uno fix with folding-arm awnings
markilux syncra fix / syncra uno fix with pergola 100 / 200
markilux syncra flex 2 / syncra uno flex 2 with folding-arm awnings
markilux RS 8000
markilux 790
Optional Accessories
Technical Information

Installation dimensions

syncra uno flex 2 with one folding-arm awning



Each of the stabilisation boxes is to be filled on site with at least **520 kg** of sand, gravel or pebbles.



dimensions in mm

- GB = overall width of the unit (depends on the awning model)
- H = projection (depends on the awning model)
- AH = unit height (depends on the awning model)
- DH = headroom (depends on the awning model)
- SAM = post separation, centre to centre (depends on the awning model)