



markilux pergola 200

Large-scale solar protection for patios - the proven technology of the markilux 8000 conservatory awning with slender support posts, can be lowered on one side

markilux

markilux pergola 100

markilux pergola 200

markilux syncra fix / syncra uno fix with folding-arm awnings

markilux syncra fix / syncra uno fix with pergola 100 / 200

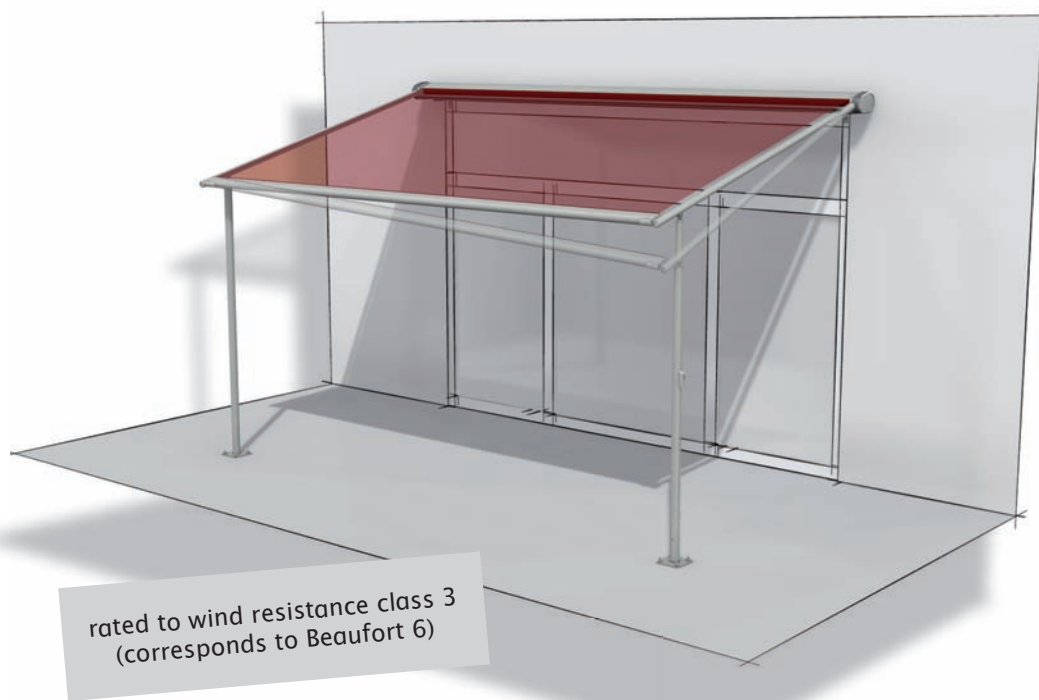
markilux syncra flex 2 / syncra uno flex 2 with folding-arm awnings

markilux RS 8000

markilux 790

Optional Accessories

Technical Information



markilux pergola 200

Large-scale solar protection for patios - the proven technology of the markilux 8000 conservatory awning with slender support posts, can be lowered on one side

Design features

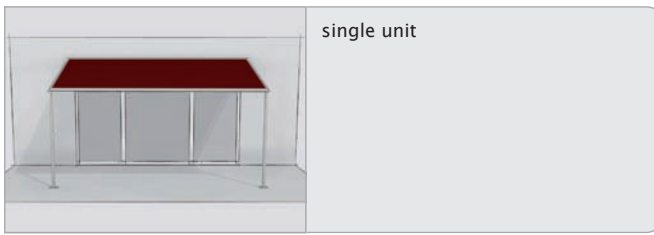
- an elegant awning system resting on slender posts with unobtrusive lateral guide tracks
- the ability to combine different cassette colours with the end cap trim and insert finishes (Lounge style line look of the markilux 6000)
- the cassette profile, the guide tracks, the front profile and the front support posts complement one another perfectly and result in a large but nevertheless very elegant patio shading system
- powder coated in the standard colours traffic white, metallic aluminium or grey brown

Technical highlights

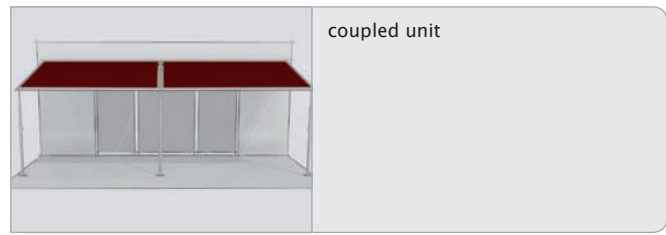
- support post system made of aluminium - manual height adjustment possible on one side - to ensure water drainage at a minimum pitch of at least 7°; if the pitch is at least 14° water drainage can be guaranteed even if the support post is not lowered
- manual adjustment of the support post by up to 30 cm using a handle; this function is assisted by a gas piston in the support post. By pressing the button to release the gas piston, the post can be returned to its original position with some assistance from the handle
- as standard, the front support posts have a height of 250 cm, bespoke heights (187 cm to 250 cm) on request

Additional features

- coupled units up to two fields wide are available in the markilux pergola 200
- radio-controlled motor with markilux remote control - ergonomically shaped
- wall sealing profile to cover the gap between awning and wall; effective up to an awning pitch of 25°
- colour matching of the cassette end cap trim and end cap insert is possible (Lounge style line)
- awning covers made of waterproof sunsilk, markilux perla FR, are available at a surcharge



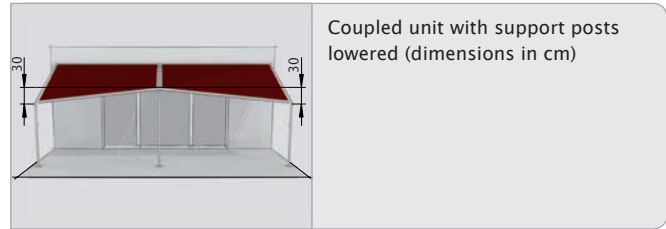
single unit



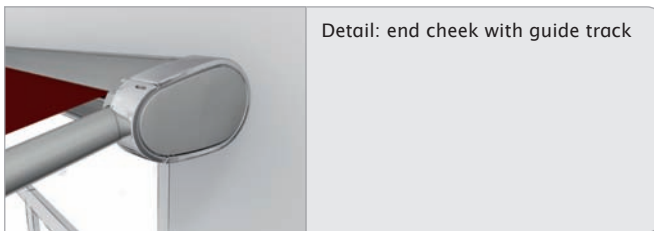
coupled unit



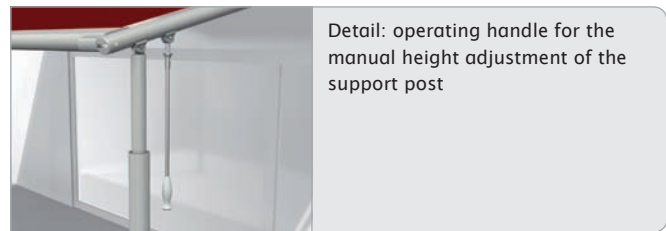
single unit with lowered support post (dimensions in cm)



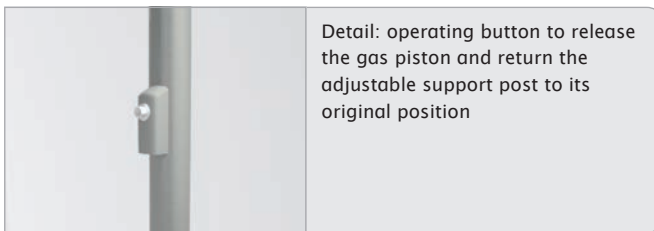
Coupled unit with support posts lowered (dimensions in cm)



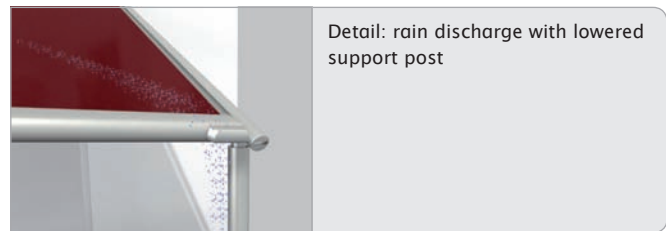
Detail: end cheek with guide track



Detail: operating handle for the manual height adjustment of the support post



Detail: operating button to release the gas piston and return the adjustable support post to its original position



Detail: rain discharge with lowered support post

Standard specification

- hard-wired motor
- stitched awning cover
- sunsilk snc fabric
- sunsilk snc signature fabric
- acrylic fabric 34
- perfortex fabric
- transolair fabric

Standard frame colours

- traffic white - RAL 9016
- metallic aluminium - RAL 9006
- grey brown - similar to RAL 8019

Optional accessories

- RTS motor with remote control
- light and wind sensor
- wall sealing profile
- additional second adjustable support post
- non-standard powder-coated finish

Lounge style line

off-white textured finish



stone grey metallic



anthracite metallic



Frame colours

off-white textured finish - 5233

stone grey metallic - 5215

anthracite metallic - 5204

End cap trim colours

off-white textured finish - 5233

stone grey metallic - 5215

anthracite metallic - 5204

polished chrome

black chrome

End cap insert colours

off-white textured finish - 5233

stone grey metallic - 5215

anthracite metallic - 5204

wood effect

stainless steel mesh

Dimensions and configuration options

single unit, 1 field, 1 motor

		awning fixture width / order width							minimum fixture width		
		150	200	250	300	350	400	450	500 ¹⁾	hard-wired	with Soltis
		74 - 150	151 - 200	201 - 250	251 - 300	301 - 350	351 - 400	401 - 450	451 - 500		
overall width		+16									
extension	150									74	112
	200									79	
	250										
	300									112	
	350										
	400										
	450									149	
	500										
	550										
600									122		

= available

1) from a field width of 451 cm, an additional central housing support is required (3 face fixture brackets).

dimensions in cm

Type of shading	
exterior	●
interior	-
Operation	
hard-wired motor	●
radio-controlled motor	○*
manual operation with stainless steel winding handle	-
cord pulley system	-
operating rod	-
Covers	
sun silk snc (fabric series 324xx/329xx)	●
sun silk snc signature (fabric series 369xx)	●
acrylic 34 (fabric series 341xx-347xx)	●
widely woven acrylic (fabric series 349xx)	-
sun silk perla FR (fabric series 374xx/379xx)	○
perfortex (fabric series 333xx)	●
transolair (fabric series 339xx)	●
Trevira CS	-
Soltis 92	○
PVC fabric	-
Miscellaneous	
wall sealing profile	○ ¹
frame system markilux RS 8000	-
cover profiles for gap between tracks and cover	-
light and wind sensor	○
Coupled units (please refer to the section on awning installation)	
coupled unit, 2 fields	○
coupled unit, 3 fields	-
gutter profile for coupling track	○ ¹

- = standard specification
- = optional accessories
- = not available
- * = radio-controlled motor using 433 MHz technology
- ¹ = effective up to a maximum awning pitch of 25°.

Housing tolerances / Awning cover dimensions	Width	Extension
housing tolerance	+5 / -10	
awning cover width = fixture width less	90	
awning cover length = awning extension less / plus		on request

dimensions in mm

The width of the awning cover is always **less** than the width of the awning.

Pitch adjustment range: from 5° to 45° (to the horizontal).

Water drainage can only be guaranteed at a minimum awning pitch of 14° to the horizontal. If the markilux pergola is to be used as rain protection and the pitch is less than 14°, water drainage can be guaranteed by lowering the adjustable post of the awning. The pitch on installation must, however, be at least 7°.

Definition of fixture width/order width: The fixture width is the measurement centre to centre from guide track to guide track. The overall width of the cassette is 160 mm greater than the fixture width of the awning. The fixture width tolerance is + 0 mm / - 20 mm.

Definition of the extension / order size: The nominal extension is measured with the awning extended from the back of the cassette to the leading edge of the front profile (the tracks will extend 70 mm past this point). The tolerance in the extension is + 40 / - 40 mm.

Definition of operating side: The operating side is always given as if seen from the outside (right or left).

Installation dimensions: The same installation dimensions are valid for the pergola 200 as for the pergola 100 (in this respect please consult the page "Installation dimensions" pergola 100)

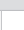


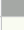


N.B! In the case of **continuous motor usage**, the motor may stop after 3 to 4 minutes to prevent overheating.

N.B.! In contrast to standard motors, radio-controlled motors have no safety cut-out mechanism if the front profile is obstructed. If this function is required in combination with radio-controlled operation, order the hard-wired motor with an external radio receiver and an appropriate transmitter.

N.B.! In the case of a bank of awnings operating simultaneously, the same speed of rotation of the motors cannot be guaranteed because of the internal tolerances of the motors.

The **extension time** of single units with a hard-wired motor is approximately 11 seconds per metre.

Frame colours

traffic white - RAL 9016		●
metallic aluminium - RAL 9006		●
grey brown - similar to RAL 8019		●
anthracite metallic - 5204 (Lounge)		○
nano stone grey metallic - 5215 (Lounge)		○
off-white textured finish - 5233 (Lounge)		○
non-standard powder-coated finish		○

* Colours similar to the RAL chart - these may differ slightly from those depicted in both hue and finish.

Dimensions

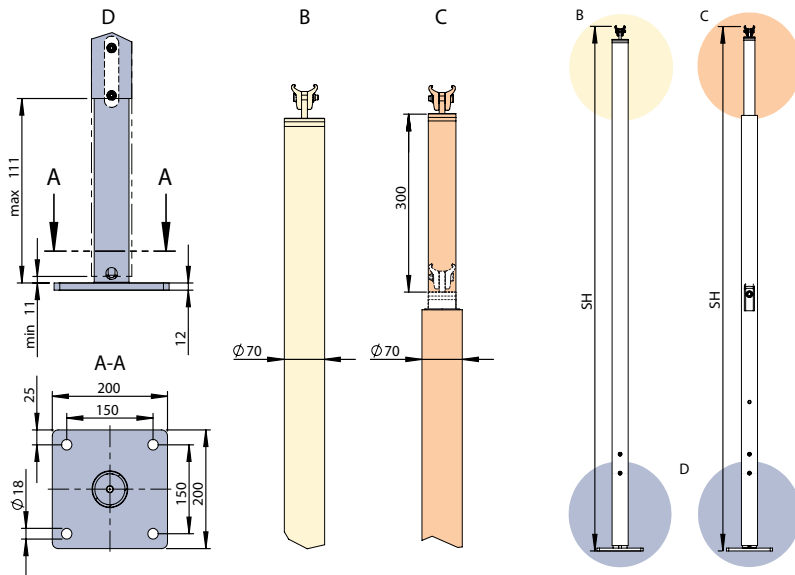
coupled unit, 2 fields, 1 or 2 motors

		fixture / order width											
		450	500	550	600	650	700	750	800	850	900	950	1000
		401-450	451-500	501-550	551-600	601-650	651-700	701-750	751-800	801-850	851-900	901-950	951-1000
overall width		+ 16											
extension	150												
	200												
	250												
	300												
	350												
	400												
	450												
	500												
	550												
600													

from a field width of 451 cm, an additional central cassette bracket is required (3 brackets per field)

dimensions in cm = available

front support posts

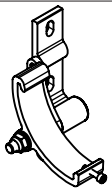
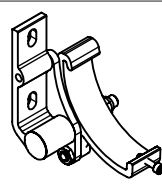
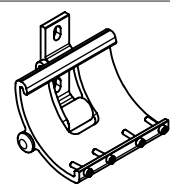
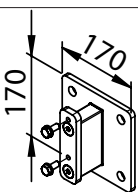
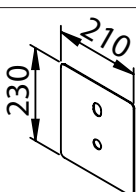
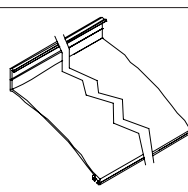


- SH = standar support post height 2500 mm, bespoke heights (min. 1870 mm to max. 2500 mm) on request
- D = Detail: height adjustment at the base of both the front support posts during installation approximately 100 cm
- B = Detail: support post without manual adjustment option
- C = Detail: support post with manual adjustment option

dimensions in mm

for installation dimensions please consult the markilux pergola 100

Fixtures, fittings and accessories

 <p>76623.</p>	<p>Face fixture cassette bracket assembly, left</p> <p>bracket 139 x 40 mm</p> <p>pitch adjustment possible from 5° to 45°</p>	 <p>76624.</p>	<p>Face fixture cassette bracket assembly, right</p> <p>bracket 139 x 40 mm</p> <p>5 - 45° pitch adjustment range</p>	 <p>76622.</p>	<p>Cassette coupling bracket assembly</p> <p>bracket 139 x 40 mm</p> <p>5 - 45° pitch adjustment range</p>
 <p>77956.</p>	<p>Spacer plates for 76622., 76623. and 76624.</p> <p>for bracket 139 x 40 mm</p> <p>length min 80 mm, max. 300 mm</p>	 <p>71844.</p>	<p>Cover plate for installation with spacer plate 77956. in the case of external insulation</p> <p>210 x 230 mm</p>	 <p>77780.</p>	<p>Wall sealing profile</p> <p>available by the metre</p> <p>fixture example: see face fixture with wall sealing profile</p>